



# VH7200 Valve Locator

## Chatterbox

At last a simple device for locating electrically operated solenoid valves in the ground! Just clamp onto the controller terminal block, run that station (valve) on manual operation & the coil will make a distinguishable 'chattering' noise. This noise is used to locate the valve. With its compact size, the valve locator diagnostic device can easily be kept in your pocket, ready for use.

- ✓ PACKAGED IN A CLEAR BLISTER PACK
- ✓ POCKET SIZE
- ✓ NO BATTERIES REQUIRED

## INSTALLATION INSTRUCTIONS

### WARNING!

If the water supply is from a pump, ensure the Master Wire marked **M** or **Pump** on the controller terminal block is disconnected to avoid damage to the pump start relay or contactor.

### To Locate a Single Valve

Disconnect the required station number wire on the Controller Terminal Block. Clamp one alligator clip from the 'Valve Locator' to the station number on the Controller Terminal block. The other alligator clip from the 'Valve Locator' must be connected to the field wire.

Using the manual cycle on the Controller, turn on the required station (valve). The coil on the valve will start to 'Chatter' in the ground and the sound will lead you to the valve.

### To Locate all the Valves

Disconnect the Common Wire (or wires) marked 'C' on the Controller Terminal block. Clamp one alligator clip from the 'Valve Locator' to the terminal marked 'C' on the controller. The other alligator clip from the 'Valve Locator' must be connected to the Common Wire (or wires). Using the manual test cycle on the Controller, manually turn on the stations for a minimum run time of 2 minutes. The Stations (valves) will come on sequentially one at a time and you will be able to locate the valves by the 'chattering' noise.

**DISCLAIMER:** Holman Industries have tested their product range of System Expanders & Diagnostic equipment in as many different controllers as possible. However, NO representations are made that guarantee these products will work in all field conditions and situations. Users must make their own assessments and judgements in the application of these products.



## Electrical Specifications

FIG 1: Locating a single station (valve). Eg: 4 Station

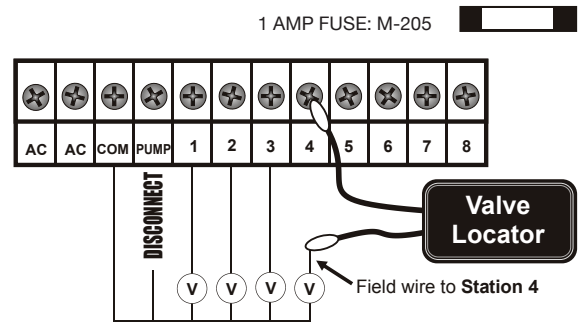
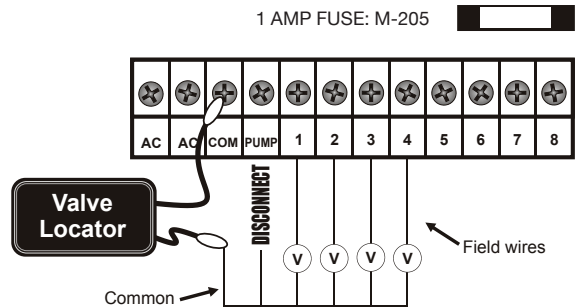


FIG 2: Locating all the stations (valves)



## Ordering Details

ORDER NO: VH7200

DESCRIPTION: VALVE LOCATOR

## Packaging Details

PACK QTY: 1

W x L x H (cm): 9 x 16.5 x 2.5

VOLUME (m<sup>3</sup>): 0.000371

WEIGHT (kg): 0.056

## Product Size

HEIGHT: 35mm

WIDTH: 53mm

DEPTH: 15mm + wires and alligator clips



Made and Serviced in Australia

Valve Locator | Product Code: VH7200

11 Walters Drive, Osborne Park WA 6017  
P.O. Box 1538, Osborne Park WA 6916  
PH +61 8 9416 9999 | FAX +61 8 9416 9920  
sales@holmanindustries.com.au  
www.holmanindustries.com.au