

HOLMAN

EZY Spray[®] 3L

INTRODUCTION

The portable and lightweight **HOLMAN EZY Spray[®]** is an essential tool for your garden maintenance. The patented pre-pressurised air tank requires **no** manual pumping—connect your garden hose, fill the reservoir, and away you go!

A standard garden spray would require manual pumping roughly 1,250 times for 50L of spraying; the **EZY Spray[®]** doesn't need a single pump.

To fill your **EZY Spray[®]**, simply connect a garden hose to the tank. The gauge indicates how full the tank is, and the spray wand gives all the control you need.

Adding fertiliser, herbicide or other additives to your **EZY Spray[®]** is easy. Unhook the handle, and pour in concentrate before filling with water.

For more info and support, visit www.holmanindustries.com.au

COMPONENTS

- | | |
|---|---------------------------|
| A. SPRAY HEAD | I. PRESSURE GAUGE |
| B. WAND | J. SCHRADER VALVE |
| C. TRIGGER | K. 12mm HOSE CONNECTION |
| D. HOSE | L. PRESSURE RELEASE VALVE |
| E. EZY Spray [®] PRESSURE TANK | M. GRAB HANDLE |
| F. WAND THREAD | N. PLUNGER |
| G. LOCKING NUT | O. TANK OPENING |
| H. TANK OUTLET | P. INLET VALVE CONNECTOR |



Your **EZY Spray[®]** is not suitable for drinking under any circumstance

1

SPRAY WAND ASSEMBLY

- Screw the **SPRAY HEAD (A)** onto the **WAND THREAD (F)**
- Loosen (do not remove) the **LOCKING NUT (G)** on the **TRIGGER (C)**
- Insert the opposite end of the **WAND (B)** through the locking nut on the **TRIGGER**
- Tighten the locking nut on the **TRIGGER**
- This completes the assembly of the **SPRAY WAND**

2

SPRAY HOSE CONNECTION

- Remove the protective end cap from the **TANK OUTLET (H)**
 - Screw one end of the **HOSE (D)** onto the **TANK OUTLET (H)**
 - Screw the other end of the **HOSE** onto the threaded end of the **SPRAY WAND** assembly
- ✓ For the easiest assembly, be sure to screw the hose onto the tank outlet *before* screwing onto the spray wand

3

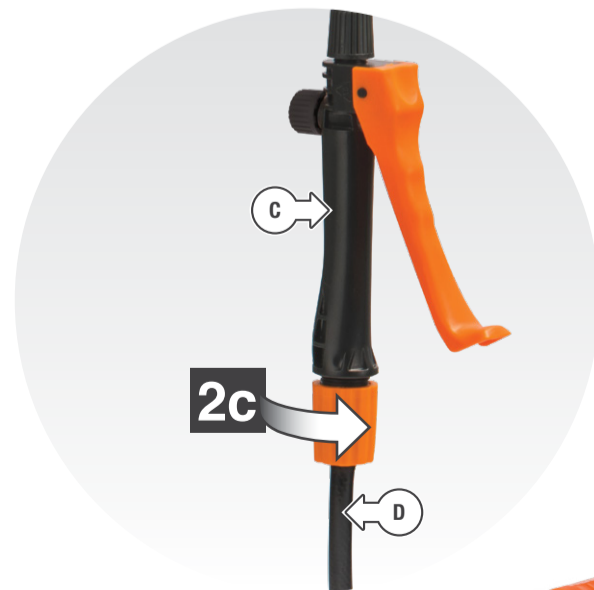
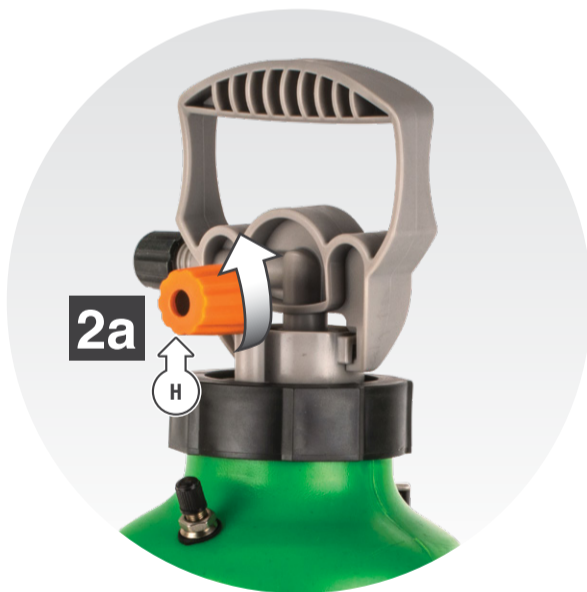
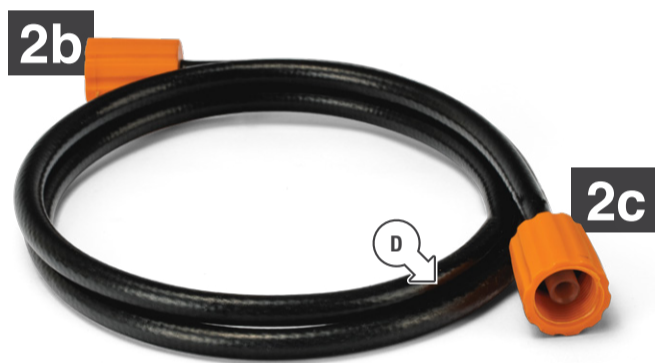
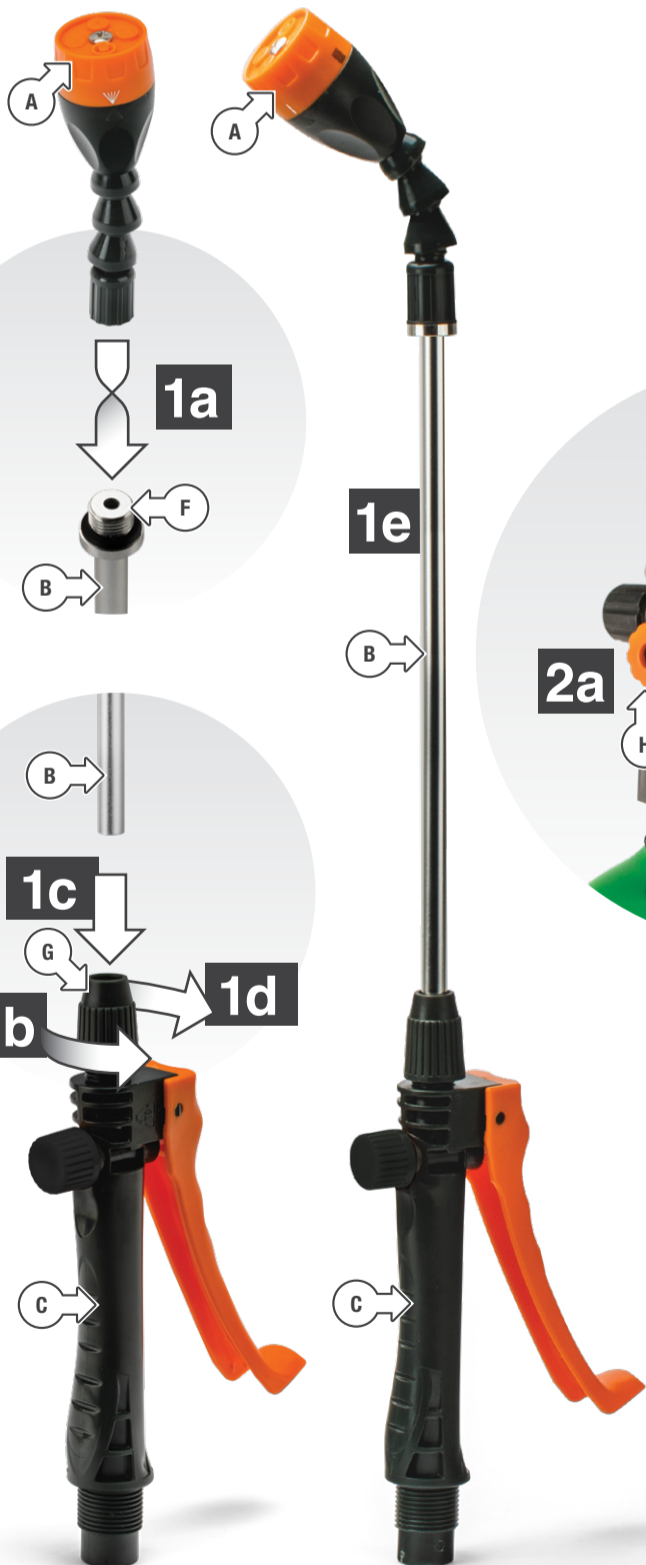
TANK PRESSURE CHECK

- ⚠ **Before filling your EZY Spray[®], be sure to check the pressure gauge**
- Locate the **PRESSURE GAUGE (I)** on the side of the **PRESSURE TANK (E)**
 - Check the pressure gauge reads at least **1 BAR**
- ⚠ **This is required for the pressurised tank to work correctly**
- If pressure is satisfactory, proceed to [Steps 4 and 5](#)
 - If the pressure gauge is low, follow the [Re-pressurise](#) process in [Troubleshooting](#)

Before filling, the dial should read roughly 1 bar here



When filling, the dial will indicate how much water is in the tank



⚠ Do not attempt to unscrew the **PRESSURE TANK** lid—doing so will break the pressurised seal and void your warranty!



Scan me with your phone for more resources!

PATENTS
 Australia: 2007209766
 New Zealand: 569888
 United Kingdom: GB2449588
 Canada: 2,640,600

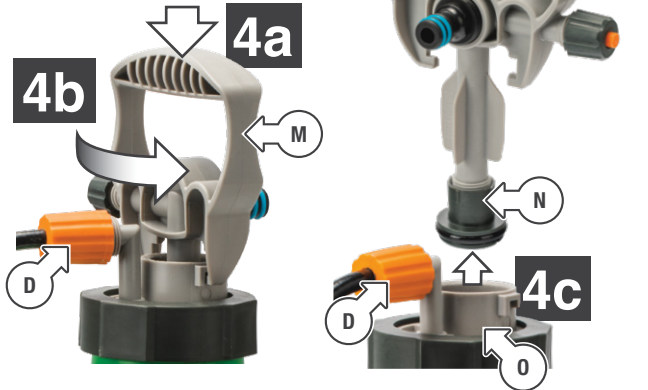
Made under license from Pressuresac Pty Ltd, Kinglake Australia.

Need help? Visit www.holmanindustries.com.au/3l-ezyspray/ for more product information or support.holmanindustries.com.au/ for additional help

4 Spray Additives

Removing the Grab Handle

- Push down on the **GRAB HANDLE (M)**
- Twist *counter-clockwise* to unhook the **GRAB HANDLE** from the **PRESSURE TANK (E)**
- Pull the **GRAB HANDLE** out of the **PRESSURE TANK**
- Place the **GRAB HANDLE** somewhere clean to avoid dirt touching the lubricated **PLUNGER (N)**
- Add fertiliser or other additives to your **EzySpray®** before filling with water
- Optional:* To include more additive, insert the plunger to push the first shot into the tank
- Optional:* For powder additives, include a cup of water in addition to the additive
- Repeat **Steps 4c and d** as necessary to introduce more additive



Introducing Spray Additives

- Ensure the **SPRAY HOSE (D)** is attached when removing or replacing the **GRAB HANDLE** to avoid excess additive or water squirting out of the **PRESSURE TANK** outlet
- After removing the **GRAB HANDLE**, follow your additive instructions to pour the correct amount into the **TANK OPENING (O)**



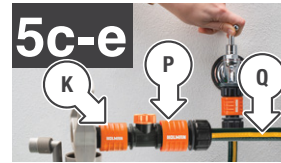
- Insert the **PLUNGER** into the **TANK OPENING**, in the position shown above, push down and rotate *clockwise* to hook the **GRAB HANDLE** back into place
- Follow **Tank Filling** in **Step 5** to fill the tank with water and mix in the additive

2

5 Tank Filling

Tank Filling

⚠ Min. tap pressure required to fill tank: 300kPa



- Before filling your **EzySpray®**, push excess air from your garden hose by turning on the tap
- This will stop additional air using the **EzySpray®** capacity
- Once water is flowing out, you can turn off the tap
- Locate the 12mm snap-on **HOSE CONNECTION (K)**
- Attach the **INLET VALVE CONNECTOR (P)**
- Add a standard 12mm garden hose (**Q**) onto this connection
- Ensure the **INLET VALVE (P)** is open and turn the garden hose tap on begin filling

⚠ Watch the pressure gauge as the reservoir fills with water

- ☑ The gauge should begin moving towards **MAX** level
 - g. If your water source is *high* pressure, it may trigger the **PRESSURE RELEASE VALVE (L)** when full to stop your **EzySpray®** from over-pressurising:
-
- If your water source is *low* pressure, the **EzySpray®** will stop filling when it reaches the maximum pressure
 - Once your **EzySpray®** is full, turn off your tap and close the **INLET VALVE (P)**
 - Disconnect the **INLET VALVE (P)** and garden hose

☑ High or low pressure circumstances are fine and shouldn't damage your **EzySpray®**

⚠ Watch for excess water from the hose when disconnecting

⚠ Don't leave unattended while filling!



3

6 Spraying

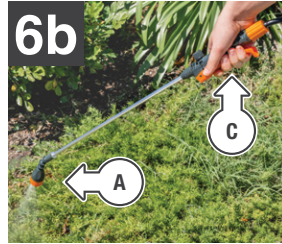
Spray Functions

- ✓ The **SPRAY HEAD (A)** includes 4 individual spray functions: **JET, CONE, SHOWER** and **MIST**
- a. Before spraying, twist the orange section of the **SPRAY HEAD** to select the desired spray pattern



Trigger Action

- b. To begin spraying, simply point the **SPRAY HEAD** in the desired direction and pull the orange **TRIGGER (C)** lever



8 Troubleshooting

Question	Answer	Question	Answer
<p>Why won't my EzySpray® work?</p> <p>Why is the pressure gauge reading below 1 bar?</p>	<ul style="list-style-type: none"> ✓ Your EzySpray® may need to be re-pressurised: ✓ This is only necessary if the pressure is below 1 bar. It should be able to hold this minimum pressure for an extended period a. Locate SCHRADER (bike) VALVE (J) on the opposite side to the GAUGE (I) b. Unscrew the lid off the valve c. Attach a standard bike pump d. Pump air in until the gauge reads at least 1 bar ✓ Check the PRESSURE GAUGE (I) to ensure water is in the tank ✓ Check hose for kinks and blockages ✓ Check wand for blockages ✓ Try each setting on the spray head and check this for blockages 	<p>Why is my EzySpray® hose difficult to screw onto the tank and wand?</p>	<ul style="list-style-type: none"> ✓ The hose included with your EzySpray® is designed for the best seal possible, which may be difficult to screw on during initial assembly ✓ For the easiest assembly, screw the hose onto the tank outlet <i>before</i> screwing onto the spray wand
<p>Why is the pressure release valve triggered and spraying water during filling?</p>	<ul style="list-style-type: none"> ✓ This is perfectly normal and means the tank is full of water ✓ Turn off your tap and disconnect your garden hose 	<p>Why has the pressure gauge stopped rising while filling with water?</p>	<ul style="list-style-type: none"> ✓ The EzySpray® can still be used when not entirely full ✓ It may be due to a low-pressure water source—try filling the tank elsewhere with higher water pressure
<p>Why doesn't my garden hose fit on my EzySpray®?</p>		<p>How do I empty my EzySpray®?</p>	<ul style="list-style-type: none"> ✓ Your hose may be 18mm ✓ Unscrew the 12mm hose connection and replace with an 18mm version ✓ Visit www.holmanindustries.com.au/product/18mm-brass-sprinkler-adaptor for more info ✓ Point your spray wand anywhere you don't mind the excess fluid flowing ✓ Hold the trigger and let the contents spray until the tank is empty

7 Flushing and Cleaning

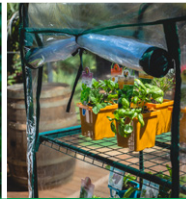
Spray Functions

- ⚠ **It is important to completely flush your EzySpray® with clean water when finished with chemical spraying**
- a. After you have completed your spraying job and the tank has run out, connect to a tap and refill the tank with clean water
- b. Point your spray wand into a bucket or anywhere you don't mind the excess fluid flowing
- c. Hold down the trigger and let the contents flow through until the tank is empty
- d. Once the tank is empty, we recommend storing your **EzySpray®** in a dry, protected space out of direct sunlight





Thanks for being a
#SMARTGARDENER



We really appreciate having you as a customer, and would like to say thank you for choosing us.

We recommend registering your new product on our website. This will ensure we have a copy of your purchase and will activate an extended warranty. Keep up to date with relevant product information and special offers available through our newsletter.



www.holmanindustries.com.au/product-registration/

HOLMAN

For the **#SMARTGARDENER**   

Head Office/Service
11 Walters Drive, Osborne Park WA 6017
Tel: +61 8 9416 9999 Fax: +61 8 9416 9920
support@holmanindustries.com.au
www.holmanindustries.com.au

Copyright © 2023 Holman Industries