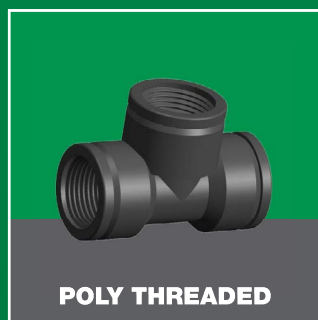


# HOLMAN

## PLUMBING

### 2023 CATALOGUE

PVC FITTINGS // RRJ FITTINGS // HEAVY DUTY  
DWV // PE HOLTECH // POLY //  
SPECIAL FABRICATED FITTINGS



**HOLMAN  
FITTINGS RANGE**

[www.holmanindustries.com.au](http://www.holmanindustries.com.au)

For the #SMARTPLUMBER





Perth Headquarters

Melbourne Hardware

Melbourne Plumbing

Brisbane Warehouse

## Irrigation, Gardening, Plumbing Australia and New Zealand

📍 **Perth Headquarters**  
11 Walters Drive  
Osborne Park 6017  
Western Australia  
Tel: +61 8 9416 9999

📍 **Melbourne Hardware**  
145 Northcorp Boulevard  
Broadmeadows 3047  
Victoria  
Tel: +61 3 8335 4444

📍 **Melbourne Plumbing**  
2A William Barak Boulevard  
Broadmeadows 3047  
Victoria  
Tel: +61 3 8335 4444

📍 **Brisbane Plumbing**  
1-2/68 Lisgar Street  
Virginia 4014  
Queensland  
Tel: +61 7 3834 2100

📍 **Brisbane Hardware**  
60A Clyde Gessel Place  
Eagle Farm 4009  
Queensland  
Tel: +61 7 3834 2100

📍 **Brisbane Civil Plumbing**  
4/90 Quinns Hill Road East  
Stapylton 4207  
Queensland  
Tel: +61 7 3807 1922

📍 **Sydney Warehouse**  
1/10 Johnston Crescent  
Horsley Park 2175  
New South Wales  
Tel: +61 2 9933 6500

📍 **New Zealand Sales**  
Tel: +61 8 9416 9999

➔ **Orders, Sales and Enquires**  
[sales@holmanindustries.com.au](mailto:sales@holmanindustries.com.au)  
[www.holmanindustries.com.au](http://www.holmanindustries.com.au)





ouse

Stapylton Factory

Brisbane Hardware

Sydney Warehouse



Managing Director  
**Wally Edwards**

## Holman have been supplying PVC fittings to the Australian market for 30 years.

In recent years we have invested in expanding our manufacturing capabilities in Australia. We now have moulding facilities in Brisbane and Perth and a fabrication and bending factory in Stapylton near the Gold Coast.

Over the last 6 years we have invested heavily in machines and tooling to create a wide range of products for the plumbing, civil and hardware markets that are made here in Australia. We are proud of our achievements in setting these factories up in quick time and during the Covid years.

This is the most complete plumbing catalogue we have produced.

Our product range in DWV is expansive. We manufacture a wide range of solvent jointed fittings from 40mm to 375mm and also carry Rubber Ring Joint (RRJ), Heavy Duty (HD) and many and varied fabricated PVC fittings and products.

Likewise we offer a complete range of Stormwater fittings from 75mm to 375mm. Our pressure range covers 15mm up to 150mm fittings. We carry a complete range of Poly compression and threaded fittings that are made by Elysee in Cyprus.

Of course our fabrication factory can make virtually any fitting or assembly you may require. Just contact your rep or one of our offices with your requirements.

We continue to design and invest in new tooling to keep growing our range of products and to make as many of these fittings as we can in Australia.

Over the last year we have greatly expanded our warehousing facilities. We now have large warehouses in Melbourne, Sydney, Brisbane, Stapylton and Perth. We are continually investing in more stock and aspire to have all the stock you require in all locations when you want it.

We thank you for your business and hope we can continue to grow together.

## THE COMPANY

Holman Industries was founded on January 4, 1966. It is still a family business and proudly Australian owned. The company is a leading supplier of plumbing fittings and watering products to the Australian market.

Holman employs over 250 staff in Australia and its Head Office is in Perth, Western Australia. Large distribution warehouses are located in Melbourne and Brisbane and a plumbing only warehouse is situated in Sydney. The company currently exports watering products to many countries including the USA & Europe.

Holman is dedicated to continually investing in new tooling and more product development and innovation. Holman believes in putting its customers first and offering superior service with a high level of stock support. The aim is to be your best supplier.

## QUALITY

All Holman products are certified by ApprovalMark International, an Australian based Certification Body accredited by JAS-ANZ, who provides certification to all Holman plumbing products in accordance with WaterMark Certification. This provides assurance and confidence that Holman only supplies products which comply to the Australian Standards and are manufactured to the highest quality. Fabfit t/a Holman Industries is a quality endorsed company to ISO 9001 Certification and also conducts independent batch release testing to maintain the highest level of compliance.

## CUSTOM FABRICATIONS

The Holman manufacturing facility has the capacity to manufacture special fittings and assemblies in all areas of HDPE, PP and PVC.

## CERTIFICATIONS

Holman has stringent quality control programmes implemented at their manufacturing sites to ensure the quality of products supplied to customers in the Civil Industry. Independent third party certification is undertaken by Approval Mark International (JAS-ANZ) Accredited.

Product range of moulded and fabricated fittings certified under the WaterMark certification scheme:

- AS/NZS 1260 - PVC-U Pipes and Fittings for Drain, Waste and Vent applications.
- AS/NZS 1477 - PVC-U Pipes and Fittings for Pressure applications
- WMTS 006 - Reflux Valves - Sewerage
- WMTS-030 - Solenoid Valves

Product range of moulded and fabricated fittings certified under the ISO Type 5 certification scheme:

- AS/NZS 1254 - PVC-U Pipes and Fittings for Stormwater and Surface water applications
- AS/NZS 4129 Fittings for Polyethylene (PE) pipes for Pressure applications
- AS/NZS 4020:2018 - PVC - U - Drinking Water
- AS/NZS 4129:2020 - Fittings for polyethylene (PE) pipes for pressure applications



# Contents

HOLMAN PLUMBING CATALOGUE

06

DWV FITTINGS

20

DWV RUBBER RING JOINT

34

DWV HEAVY DUTY FITTINGS

46

HOLTECH FITTINGS

54

S&P PVC TRAPS

56

STORMWATER FITTINGS

66

PRESSURE FITTINGS

76

PVC VALVE

78

POLY COMPRESSION

90

POLY THREADED FITTINGS

96

SPECIAL FABRICATED FITTINGS

# DWV Fittings

DRAINAGE, WASTE AND VENT FITTINGS MADE TO AUSTRALIAN AND NEW ZEALAND STANDARDS

07

DWV PVC Adaptor  
DWV PVC Bend Inspection Outlet  
DWV PVC Bends / Elbow

10

DWV PVC Bolted Trap Screw  
DWV PVC Bush PVC/VC  
DWV PVC Spigot Adaptor  
DWV PVC Cap

11

DWV PVC Connector  
DWV PVC Coupling

12

DWV PVC Coupling Repair  
DWV PVC Expansion Repair Coupling  
DWV PVC Finishing Collar  
DWV PVC Flap Valve

13

DWV PVC Floor Flange  
DWV PVC Floor Grate / waste  
DWV PVC Junction

15

DWV PVC Junction Rear & Side Access  
DWV PVC Riser Junction  
DWV PVC Level Invert Taper

16

DWV PVC Socket Reducer  
DWV PVC Inpipe Reducing Bush  
DWV PVC Slab Adaptor / Repair

17

DWV PVC Pan Collar  
DWV PVC Test Opening with Cap  
DWV PVC Trap Disconnecter  
DWV PVC Boundary Trap No Loss

18

DWV PVC Boundary Trap  
DWV PVC Vent Cowl  
DWV PVC Weathering Apron  
DWV PVC Flange Table D  
DWV PVC Safe Waste Tray

19

DWV PVC Reflux Valve  
DWV PVC Tapping Saddle

HOLMAN INDUSTRIES OFFERS A COMPREHENSIVE RANGE OF WATERMARK APPROVED FITTINGS MANUFACTURED TO AS/NZS 1260 STANDARD.



## DWV PVC ADAPTOR FEMALE\*

CODE	DESCRIPTION	BAG	BOX
DWVF0010	40mm Female Iron	10	70
DWVF0012	50mm Female Iron	5	160



DWVF0010  
DWVF0012

\*Spigot same OD as pipe, fits into another fitting.

## DWV PVC ADAPTOR MALE\*

CODE	DESCRIPTION	BAG	BOX
DWVF0020	40mm Male Iron	10	160
DWVF0022	50mm Male Iron	10	80



DWVF0020  
DWVF0022

\* Spigot same OD as pipe, fits into another fitting.

## DWV PVC BEND INSPECTION OUTLET

CODE	DESCRIPTION	BAG	BOX
DWVF0030	IO Cap w/O-Ring	10	200
DWVF0032	40mm 88°	10	50
DWVF0034	50mm 45°	5	90
DWVF0036	50mm 88°	10	70
DWVF0040	65mm 88°	10	60



DWVF0032  
DWVF0036  
DWVF0040



DWVF0034

## DWV PVC BEND F&F PLAIN

CODE	DESCRIPTION	BAG	BOX
DWVF0050	40mm 15°	5	80
DWVF0052	40mm 45°	10	100
DWVF0054	40mm 88°	10	80
DWVF0056	50mm 15°	5	40
DWVF0058	50mm 45°	5	55
DWVF0060	50mm 88°	10	40
DWVF0062	65mm 45°	10	100
DWVF0064	65mm 88°	10	60
DWVF0066	80mm 45°	5	70
DWVF0068	80mm 88°	5	40
DWVF0070	100mm 5°	-	42
DWVF0072	100mm 15°	-	35
DWVF0074	100mm 30°	-	35
DWVF0076	100mm 45°	-	32
DWVF0077	100mm 60°	-	30
DWVF0078	100mm 88°	-	19



DWVF0052  
DWVF0058  
DWVF0062  
DWVF0066  
DWVF0076



DWVF0054  
DWVF0060  
DWVF0064  
DWVF0068  
DWVF0078



DWVF0050  
DWVF0056  
DWVF0072



DWVF0070



DWVF0074



DWVF0077

## DWV PVC BEND F&F PLAIN



ELBMD150X15



ELBMD150X45



ELBMD150X90

CODE	DESCRIPTION		BOX
ELBMD150X5	150mm	5°	12
ELBMD150X15	150mm	15°	12
ELBSEW150X22	150mm	22° (F)	-
ELBMD150X30	150mm	30°	12
ELBMD150X45	150mm	45°	18
ELBSEW150X60	150mm	60° (F)	-
ELBMD150X88	150mm	88°	10
ELBMD225X5	225mm	5°	-
ELBMD225X15	225mm	15°	-
ELBSEW225X22	225mm	22° (F)	-
ELBSEW225X30	225mm	30° (F)	2
ELBMD225X45	225mm	45°	2
ELBSEW225X60	225mm	60° (F)	-
ELBMD225X88	225mm	88°	3
ELBSEW300X5	300mm	5° (F)	-
ELBMD300X15	300mm	15°	2
ELBSEW300X22	300mm	22° (F)	-
ELBSEW300X30	300mm	30° (F)	-
ELBMD300X45	300mm	45°	-
ELBSEW300X60	300mm	60° (F)	-
ELBMD300X88	300mm	88°	-
ELBSEW375X5	375mm	5° (F)	-
ELBSEW375X15	375mm	15° (F)	-
ELBSEW375X22	375mm	22° (F)	-
ELBSEW375X30	375mm	30° (F)	-
ELBSEW375X45	375mm	45° (F)	-
ELBSEW375X60	375mm	60° (F)	-
ELBSEW375X90	375mm	90° (F)	-



DWVF0090



DWVF0100



DWVF0102

## DWV PVC BEND REAR & SIDE ACCESS

CODE	DESCRIPTION		BOX
DWVF0090	100mm	88° R/Access	15
DWVF0100	100mm	45° S/Access	12
DWVF0102	100mm	88° S/Access	12

## DWV PVC ROTATING BEND



DWVF0452

CODE	DESCRIPTION	BAG	BOX
DWVF0452	50mm	5	60



## DWV PVC BEND M&F PLAIN

CODE	DESCRIPTION	BAG	BOX
DWVF0120	40mm 43°	10	60
DWVF0122	40mm 88°	10	60
DWVF0124	50mm 43°	10	60
DWVF0126	50mm 88°	10	40
DWVF0128	50mm x 40mm 45°	5	50
DWVF0130	65mm 45°	10	100
DWVF0132	80mm 45°	-	75
DWVF0138	100mm 5°	-	42
DWVF0140	100mm 15°	-	36
DWVF0142	100mm 30°	-	36
DWVF0144	100mm 43°	-	33
DWVF0145	100mm 45°	-	33
DWVF0147	100mm 60°	-	36
DWVF0146	100mm 88°	-	20
ELBMD150X5MF	150mm 5°	-	15
ELBMD150X15MF	150mm 15°	-	-
ELBMD150X30MF	150mm 30°	-	18
ELBMD150X43MF	150mm 43°	-	12
ELBMD150X88MF	150mm 88°	-	12
ELBMD225X5MF	225mm 5°	-	-
ELBMD225X15MF	225mm 15°	-	-
ELBSEW225X22MF	225mm 22° (F)	-	-
ELBSEW225X30MF	225mm 30° (F)	-	-
ELBMD225X45MF	225mm 45°	-	4
ELBMD225X88/90MF	225mm 88°	-	4
ELBSEW300X5MF	300mm 5° (F)	-	-
ELBMD300X15MF	300mm 15°	-	-
ELBSEW300X22MF	300mm 22° (F)	-	-
ELBSEW300X30MF	300mm 30° (F)	-	-
ELBSEW300X45MF	300mm 45°	-	-
ELBMD300X88MF	300mm 88°	-	-



DWVF0120  
DWVF0124



DWVF0122  
DWVF0126



DWVF0128



DWVF0140



DWVF0142



DWVF0144



DWVF0147



ELBMD225X45MF



ELBMD150X45MF



ELBMD225X88/90MF

## DWV PVC BEND IN PIPE X SOCKET

CODE	DESCRIPTION	BAG	BOX
DWVF0160	40mm 88°	10	100
DWVF0162	50mm 88°	10	50
DWVF0165	100mm 43°	-	32
DWVF0166	100mm 88°	-	24



DWVF0160  
DWVF0162  
DWVF0166



DWVF0165



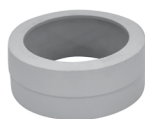
DWVF0170



BTS225MM

## DWV PVC BOLTED TRAP SCREW

CODE	DESCRIPTION	BAG	BOX
DWVF0170	100mm	5	20
DWVF0172	150mm	-	24
BTS225MM	225mm (F) s/steel screws	-	2
BTS300MM	300mm (F) s/steel screws	-	-



DWVF0180

## DWV PVC/VC BUSH

CODE	DESCRIPTION	BAG	BOX
DWVF0180	100mm M&F	5	55



DWVF0500

## DWV PVC/VC SPIGOT ADAPTOR

CODE	DESCRIPTION	BAG	BOX
DWVF0500	100mm PVC/VC F&F	5	30



DWVF0190  
DWVF0192



DWVF0194  
DWVF0196  
DWVF0198



ENDMD300

## DWV PVC CAP PUSH ON

CODE	DESCRIPTION	BAG	BOX
DWVF0190	40mm	10	120
DWVF0192	50mm	10	100
DWVF0194	65mm	10	360
DWVF0196	80mm	5	220
DWVF0198	100mm	-	120
DWVF0202	100mm Internal	-	50
DWVF0206	100mm Dust Cap	-	80
DWVF0200	150mm	-	180
ENDMD225	225mm	-	14
ENDMD300	300mm	-	8
ENDSEW375	375mm (F)	-	-



DWVF0028



DWVF0210  
DWVF0212



ENDTHM225

## DWV PVC CAP THREADED ACCESS \*

\*INCLUDING RUBBER O-RING

CODE	DESCRIPTION	BAG	BOX
DWVF0028	Threaded Adaptor	5	75
DWVF0210	100mm	10	80
DWVF0212	150mm	-	26
ENDTHM225	225mm	-	8
ENDTHM300	300mm	-	6

## DWV PVC CONNECTOR\*

CODE	DESCRIPTION	BAG	BOX
DWVF0230	Female Iron 40mm	10	60
DWVF0240	Male Iron 40mm	10	90
DWVF0232	Female Iron 50mm	10	80
DWVF0242	Male Iron 50mm	10	100
100MIX100DWV	100BSP Male Iron 100mm	-	12



DWVF0230  
DWVF0232



DWVF0240  
DWVF0242

\*Pipe fits into fitting socket

## DWV PVC COUPLING STRAIGHT

CODE	DESCRIPTION	BAG	BOX
DWVF0260	40mm	10	60
DWVF0262	50mm	10	130
DWVF0264	65mm	5	175
DWVF0266	80mm	5	90
DWVF0268	100mm	-	45
COUSEW375	375mm (F)	-	-
COUPRESSXDWV100	100mm DWV x 100mm Pressure	-	-



DWVF0260  
DWVF0262  
DWVF0264  
DWVF0266

## DWV PVC COUPLING THREADED

CODE	DESCRIPTION	BAG	BOX
DWVF0270	100mm	-	45
DWVF0272	150mm	-	12
COUMD225	225mm	-	6
COUMD300	300mm	-	2



DWVF0270  
DWVF0272

## DWV PVC COUPLING SLIP

CODE	DESCRIPTION	BAG	BOX
DWVF0252	100mm	-	45
SCMD150	150mm	-	12
COUSLIPSEW225	225mm (F)	-	-
COUSLIPSEW300	300mm (F)	-	-
COUSLIPSEW375	375mm (F)	-	-



DWVF0252



SCMD150  
COUSLIPSEW225  
COUSLIPSEW300  
COUSLIPSEW375



DWVF0250

## DWV PVC COUPLING REPAIR

CODE	DESCRIPTION	BAG	BOX
DWVF0250	100mm	1	27



EXPRC150

## EXPANSION REPAIR COUPLINGS\*

CODE	DESCRIPTION	BOX
EXPRC150	150mm SWJ SN8 DWV	-
EXPRC225	225mm SWJ SN8 DWV	-
EXPRC300	300mm SWJ SN8 DWV	-
EXPRC375	375mm SWJ SN8 DWV	-

*\*Can be used for Stormwater Applications*



DWVF0280

## DWV PVC FINISHING COLLAR

CODE	DESCRIPTION	BAG	BOX
DWVF0280	100mm	10	60



DWVF0290

## DWV PVC FLAP VALVE

CODE	DESCRIPTION	BAG	BOX
DWVF0290	50mm	10	210
FLAPM100	100mm	-	30
FLAPM150	150mm	-	60
FLAPM225	225mm	-	4
FLAPSEW300MM	300mm (F)	-	-
FLAPSEW375MM	375mm (F)	-	-



FLAPM100  
FLAPM150  
FLAPM225



FLAPSEW300MM  
FLAPSEW375MM



FLAPMOZZIEM100

FLAPMOZZIEM150

## DWV PVC FLAP VALVE MOZZIE PROOF

CODE	DESCRIPTION	BOX
FLAPMOZZIEM100	100mm (F)	-
FLAPMOZZIEM150	150mm (F)	-
FLAPMOZZIEM225	225mm (F)	-

## DWV PVC FLOOR FLANGE

CODE	DESCRIPTION	BAG	BOX
DWVF0300	40mm	10	100
DWVF0302	50mm	5	125
DWVF0304	100mm	10	130



DWVF0300  
DWVF0302  
DWVF0304

## DWV PVC FLOOR GRATE

CODE	DESCRIPTION	BAG	BOX
DWVF0310	100mm Octagon	10	70
DWVF0312	100mm Round	10	70
DWVF0314	100mm Square	10	70



DWVF0310



DWVF0312



DWVF0314

## DWV PVC FLOOR WASTE GULLY

CODE	DESCRIPTION	BAG	BOX
DWVF0320	80 x 65mm	4	28
DWVF0321	100 x 50mm	4	20
DWVF0322	100 x 65mm	4	20



DWVF0320  
DWVF0322

## DWV PVC GRATE \*

CODE	DESCRIPTION	BAG	BOX
DWVF0328	100mm Domed Grate With Legs	-	70
DWVF0330	100mm Flat Grate	-	120
DWVF0332	100mm Domed Grate	-	100



DWVF0328



DWVF0330



DWVF0332

## DWV PVC JUNCTION PLAIN

CODE	DESCRIPTION	BAG	BOX
DWVF0340	40mm 45°	5	40
DWVF0342	40mm 88°	5	50
DWVF0344	50mm 45°	5	40
DWVF0346	50mm 88°	5	50
DWVF0348	65mm 45°	5	35
DWVF0350	65mm 88°	5	45
DWVF0352	100 x 50mm 45°	-	19
DWVF0354	100 x 65mm 45°	-	19



DWVF0340  
DWVF0344  
DWVF0348



DWVF0342  
DWVF0346  
DWVF0350



DWVF0356



DWVF0358

## DWV PVC JUNCTION THREADED

CODE	DESCRIPTION	BOX
DWVF0356	100mm 45°	12
DWVF0358	100mm 88°	14



DWVF0360



DWVF0362

## DWV PVC JUNCTION M&F

CODE	DESCRIPTION	BOX
DWVF0360	100mm 45°	12
DWVF0362	100mm 88°	14



JUNMD300X300X45



JUNMD300X150X45



JUNSEW300X100X90



JUNSEW300X225X90

## DWV PVC JUNCTION PLAIN & REDUCING

CODE	DESCRIPTION	BOX
JUNMD150X150X45	150mm 45°	4
JUNMD150X150X88	150mm 88°	4
JUNMD150X100X45	150mm x 100mm 45°	5
JUNSEW150X100X90	150mm x 100mm (F) 90°	12
JUNSEW150X100X90MF	150mm x 100mm (F) 90° M&F	-
JUNMD225X225X45	225mm 45°	2
JUNMD225X225X88	225mm 88°	-
JUNMD225X100X45	225mm x 100mm 45°	2
JUNMD225X100X88	225mm x 100mm 88°	2
JUNMD225X150X45	225mm x 150mm 45°	3
JUNMD225X150X88	225mm x 150mm 88°	2
JUNMD300X300X45	300mm 45°	-
JUNMD300X300X88	300mm 88°	-
JUNMD300X100X45	300mm x 100mm 45°	2
JUNSEW300X100X90	300mm x 100mm (F) 90°	-
JUNMD300X150X45	300mm x 150mm 45°	2
JUNMD300X150X88	300mm x 150mm 88°	2
JUNMD300X225X45	300mm x 225mm 45°	-
JUNSEW300X225X90	300mm x 225mm (F) 90°	-
JUNSEW375X375X45	375mm (F) 45°	-
JUNSEW375X375X90	375mm (F) 90°	-
JUNSEW375X100X45	375mm x 100mm (F) 45°	-
JUNSEW375X100X90	375mm x 100mm (F) 90°	-
JUNSEW375X150X45	375mm x 150mm (F) 45°	-
JUNSEW375X150X90	375mm x 150mm (F) 90°	-
JUNSEW375X225X45	375mm x 225mm (F) 45°	-
JUNSEW375X225X90	375mm x 225mm (F) 90°	-
JUNSEW375X300X45	375mm x 300mm (F) 45°	-
JUNSEW375X300X90	375mm x 300mm (F) 90°	-

## DWV PVC JUNCTION REAR & SIDE ACCESS

CODE	DESCRIPTION			BOX
DWVF0370	100mm	88°	Rear Access	9
DWVF0372	100mm	45°	L/H Side Access	8
DWVF0374	100mm	45°	R/H Side Access	8



DWVF0370



DWVF0372



DWVF0374

## DWV PVC RISER JUNCTIONS M&F

CODE	DESCRIPTION			BAG	BOX
DWVF0440	80x50x40x40x40mm	88°		-	28
DWVF0442	100x50x50x40x40mm	88°		-	16
DWVF0444	100x50x50x50x40mm	88°		-	16



DWVF0442



DWVF0444

## DWV PVC QUAD JUNCTION

CODE	DESCRIPTION		BOX
QUADYMD100X100	100mm x 100mm		4
QUADYMD150X100	150mm x 100mm		4



QUADYMD100X100  
QUADYMD150X100

## DWV PVC INVERT TAPER M&F

CODE	DESCRIPTION	BAG	BOX
DWVF0380	50mm x 40mm	5	50
DWVF0382	65mm x 40mm	10	300
DWVF0384	65mm x 50mm	10	300
DWVF0388	80mm x 50mm	5	175
DWVF0390	100mm x 40mm	5	45
DWVF0392	100mm x 50mm	-	45
DWVF0394	100mm x 65mm	-	60
DWVF0396	100mm x 80mm	5	75
DWVF0400	150mm x 100mm	-	16
LITMD225X100	225mm x 100mm	-	8
LITMD225X150	225mm x 150mm	-	4
LITSEW300X100	300mm x 100mm (F)	-	-
LITMD300X150	300mm x 150mm	-	2
LITMD300X225	300mm x 225mm	-	2
LITSEW375X100	375mm x 100mm (F)	-	-
LITSEW375X150	375mm x 150mm (F)	-	-
LITSEW375X225	375mm x 225mm (F)	-	-
LITSEW375X300	375mm x 300mm (F)	-	-
65MIX100DWV	65mm x 100mm LIT (F)	-	-



DWVF0380



DWVF0382



DWVF0384



DWVF0388



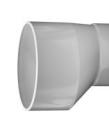
DWVF0392



DWVF0394



DWVF0396



DWVF0400



LITSEW300X100

## DWV PVC SOCKET REDUCER



CODE	DESCRIPTION	BAG	BOX
DWVF0480	50mm x 40mm	10	100
DWVF0482	65mm x 40mm	10	200
DWVF0484	65mm x 50mm	10	200
DWVF0488	100mm x 40mm	10	60
DWVF0490	100mm x 50mm	10	60
DWVF0492	100mm x 65mm	10	60
RBMD150X100	150mm x 100mm	-	12
RBUSHSEW225X100	225mm x 100mm (F)	-	-
RBUSHSEW225X150	225mm x 150mm (F)	-	-
RBUSHSEW300X100	300mm x 100mm (F)	-	-
RBUSHSEW300X150	300mm x 150mm (F)	-	-
RBUSHSEW300X225	300mm x 225mm (F)	-	-

## DWV PVC INPIPE REDUCING BUSH



CODE	DESCRIPTION	BAG	BOX
DWVF0428	100mm x 40mm	10	60
DWVF0430	100mm x 50mm	-	60
DWVF0432	100mm x 65mm	10	70
DWVF0434	50mm x 40mm	10	300
DWVF0436	65mm x 40mm	10	220
DWVF0438	65mm x 50mm	10	220
RBUSHSEW150X100IN	150mm x 100mm (F)	-	20
RBUSHSEW225X100IN	225mm x 100mm (F)	-	-
RBUSHSEW225X150IN	225mm x 150mm (F)	-	-
RBUSHSEW300X100IN	300mm x 100mm (F)	-	-
RBUSHSEW300X150IN	300mm x 150mm (F)	-	-
RBUSHSEW300X225IN	300mm x 225mm (F)	-	-

## DWV PVC SLAB REPAIR COUPLING



CODE	DESCRIPTION	BAG	BOX
DWVF0460	40mm Inpipe to Socket	10	100
DWVF0462	50mm Inpipe to Socket	10	60
DWVF0466	100mm Inpipe to Pipe Size	-	30
DWVF0468	150mm Inpipe to Pipe Size	-	10
SLABREPAIRSEW225	225mm (F) Inpipe to Pipe Size SN4	-	-
SLABREPAIRSEW300	300mm (F) Inpipe to Pipe Size	-	-
SLABREPAIRSEW375	375mm (F) Inpipe to Pipe Size	-	-
SLABREPSN8225	225mm (F) Inpipe to Pipe Size SN8	-	-



## DWV PVC PAN COLLAR

CODE	DESCRIPTION	BAG	BOX
DWVF0422	100mm M&F	-	36
DWVF0424	100mm M&F ADJ	-	36
DWVF0426	100mm Rubber - Spare	10	80



DWVF0422



DWVF0424



DWVF0426

## DWV PVC TEST OPENING W/ CAP

CODE	DESCRIPTION	BOX
DWVF0510	100mm F&F	13
DWVF0520	100mm M&F	13
IOMD150X150	150mm F&F	9
IOMD225X225	225mm F&F	1
IOMD225X100	225mm x 100mm F&F	-
IOMD225X150	225mm x 150mm F&F	2
IOSEW300X100	300mm x 100mm (F) F&F	-
IOSEW300X150	300mm x 150mm (F) F&F	-
IOSEW300X225	300mm x 225mm (F) F&F	-
IOSEW375X100	375mm x 100mm (F) F&F	-
IOSEW375X150	375mm x 150mm (F) F&F	-
IOSEW375X225	375mm x 225mm (F) F&F	-



DWVF0510



DWVF0520



IOSEW225X150



IOSEW225X225

## DWV PVC TRAP DISCONNECTOR

CODE	DESCRIPTION	BAG	BOX
DWVF0530	100mm ADJ	-	9
DT150F	150mm Fixed (NSW)	-	12



DWVF0530



DTF150F

## DWV PVC BOUNDARY TRAP NO LOSS

CODE	DESCRIPTION	BOX
BOUNL100	100mm (F)	-
BOUNL150	150mm (F)	-
BOUNL225	225mm (F)	-
BOUNL300	300mm (F)	-



BOUNL100

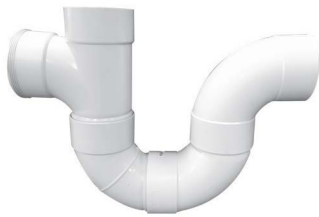
## DWV PVC BOUNDARY TRAP STD

CODE	DESCRIPTION	BOX
BOU100	100mm (F)	-
BOU150	150mm (F)	-
BOU225	225mm (F)	-
BOU300	300mm (F)	-



BOU100

# DWV FITTINGS



BOUZL150

## DWV PVC BOUNDARY TRAP ZERO LOSS

CODE	DESCRIPTION	BOX
BOUZL150	150mm	-
BOUZL225	225mm	-



DWVF0542



DWVF0550

## DWV PVC VENT COWL

CODE	DESCRIPTION	BAG	BOX
DWVF0542	50/40mm Plain	5	50
DWVF0548	50mm Insect Proof (WA Only)	5	60
DWVF0550	50/40mm Insect Proof	5	50



DWVF0560

## DWV PVC WEATHERING APRON

CODE	DESCRIPTION	BAG	BOX
DWVF0560	50mm	5	50



FLANSEW150



FLANSEW225

## DWV PVC FLANGE TABLE D UNDRILLED

CODE	DESCRIPTION	BOX
FLANSEW100	100mm (F)	-
FLANSEW150	150mm (F)	-
FLANSEW225	225mm (F)	-
FLANSEW300	300mm (F)	-
FLANSEW375	375mm (F)	-



DWVF0457

## DWV PVC SAFE WASTE TRAY

CODE	DESCRIPTION	BOX
DWVF0456	65mm	40
DWVF0457	80mm	70



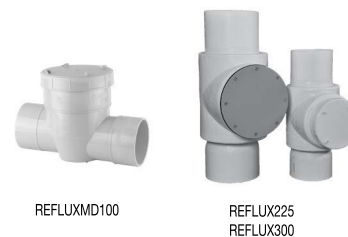
DWVF0470

## DWV PVC SNAP TEE

CODE	DESCRIPTION	BAG	BOX
DWVF0470	100mm including Threaded Cap	4	20

## DWV PVC REFLUX VALVE

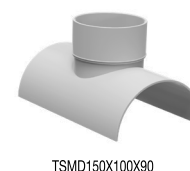
CODE	DESCRIPTION	BOX
REFLUXMD100*	100mm	-
REFLUXMD150*	150mm	-
REFLUX225*	225mm (F)	-
REFLUX300	300mm (F)	-
REFLUX375	375mm (F)	-
RF100	100mm Replacement Flap	-
RF150	150mm Replacement Flap	-



\*Flap Replacement - Removable through PVC riser to surface

## DWV PVC TAPPING SADDLE

CODE	DESCRIPTION	BOX
TSSEW100X100X45	100mm x 100mm (F) 45°	-
TSSEW100X100X90	100mm x 100mm (F) 90°	-
TSSEW100X50X45	100mm x 50mm (F) 45°	-
TSSEW100X50X90	100mm x 50mm (F) 90°	-
TSMD150X100X45	150mm x 100mm 45°	6
TSSEW150X150X45	150mm x 150mm (F) 45°	-
TSSEW150X150X90	150mm x 150mm (F) 90°	-
TSSEW150X50X45	150mm x 50mm (F) 45°	-
TSSEW150X50X90	150mm x 50mm (F) 90°	-
TSMD150X100X90	150mm x 100mm 90°	13
TSMD225X100X45	225mm x 100mm 45°	10
TSSEW225X100X90	225mm x 100mm (F) 90°	-
TSMD225X150X45	225mm x 150mm 45°	5
TSSEW225X150X90	225mm x 150mm (F) 90°	-
TSSEW225X225X45	225mm x 225mm (F) 45°	-
TSSEW225X225X90	225mm x 225mm (F) 90°	-
TSMD300X100X45	300mm x 100mm 45°	4
TSSEW300X100X90	300mm x 100mm (F) 90°	-
TSMD300X150X45	300mm x 150mm 45°	4
TSSEW300X150X90	300mm x 150mm (F) 90°	-
TSSEW300X225X45	300mm x 225mm (F) 45°	-
TSSEW300X225X90	300mm x 225mm (F) 90°	-
TSSEW300X300X45	300mm x 300mm (F) 45°	-
TSSEW300X300X90	300mm x 300mm (F) 90°	-
TSSEW375X100X45	375mm x 100mm (F) 45°	-
TSSEW375X100X90	375mm x 100mm (F) 90°	-
TSSEW375X150X45	375mm x 150mm (F) 45°	-
TSSEW375X150X90	375mm x 150mm (F) 90°	-
TSSEW375X225X45	375mm x 225mm (F) 45°	-
TSSEW375X225X90	375mm x 225mm (F) 90°	-
TSSEW375X300X45	375mm x 300mm (F) 45°	-
TSSEW375X300X90	375mm x 300mm (F) 90°	-
TSSEW375X375X45	375mm x 375mm (F) 45°	-
TSSEW375X375X90	375mm x 375mm (F) 90°	-



# DWV Rubber Ring Joints

DRAINAGE, WASTE AND VENT FITTINGS MADE TO AUSTRALIAN AND NEW ZEALAND STANDARDS

21

Bends (Elbows) - Unglassed F&F  
Bends (Elbows) - Unglassed M&F

22

45° Junctions RRJ F&F  
88° Junctions RRJ F&F - Sweep (Rileys)  
Junctions RRJ With SWJ Branch (No Cap)

23

Inspection Opening With 2 Caps F&F  
Level Invert Tapers RRJ M&F  
DWV Inserts

24

Long Radius Sweep 635mm Radius RRJ M&F  
Long Radius Sweep 3m Radius RRJ M&F

25

SN8 DWV 1m Radius SWJ F&F Bends  
SN8 DWV 1m Radius RRJ M&F Bends

26

Bends (Elbows) - Glassed Reinforced  
Bends RRJ F&F  
Bends RRJ M&F

27

GRP Wrapped / 'C' Type Dww Sewer Junctions  
GRP Wrapped Dww Sewer Junctions RRJ F&F  
'C' Type Dww Sewer Junctions RRJ  
Deep Sewer Junctions RRJ F&F

28

Level Invert Tapers RRJ M&F - Glass Reinforced  
Level Invert Taper RRJ M&F  
Inspection Openings  
Slip Couplings - Glass Reinforced & Moulded Heavy Duty

29

Manhole Couplings With Weep Rings  
Manhole Socket Sanded RRJ M&F - With Rings Solid Wall  
Manhole Spigot Sanded RRJ

30

Manhole Socket RRJ M&F - With Solid Wall  
Manhole Socket Sanded RRJ F&F  
- With Solid Wall  
Manhole PN12 RRJ Couplings/Spigots

31

Fully Moulded Heavy Duty Fittings  
Bends RRJ Heavy Duty F&F  
Junction Heavy Duty RRJ

32

Junction Heavy Duty RRJ  
Spigot Adaptor  
Inspection Openings With 2 Caps Heavy Duty F&F

33

Drop Junctions/Bends/ Vertical Backdrop Assemblies  
Vertical Backdrop Assemblies RRJ M&F  
Drop Junctions RRJ M&F - Glass Reinforced  
Manhole PN12 RRJ Couplings/Spigots

HOLMAN INDUSTRIES OFFERS A COMPREHENSIVE RANGE OF WATERMARK APPROVED FITTINGS MANUFACTURED TO AS/NZS 1260 STANDARD.



## BENDS (ELBOWS) - UNGLASSSED F&F



ELBMDRRFF150X15

CODE	DESCRIPTION	BOX
ELBMDRRFF100X15	100mm 15°	-
ELBMDRRFF100X30	100mm 30°	-
ELBMDRRFF100X60	100mm 60°	-
ELBMDRRFF100X90	100mm 90°	-
ELBMDRRFF150X15	150mm 15°	-
ELBMDRRFF150X30	150mm 30°	-
ELBMDRRFF150X60	150mm 60°	-
ELBMDRRFF150X90	150mm 90°	-
ELBMDRRFF225X45	225mm 45°	-
ELBMDRRFF225X90	225mm 88°	-
ELBMDRRFF300X45	300mm 45°	-
ELBMDRRFF300X90	300mm 88°	-

## BENDS (ELBOWS) - UNGLASSSED M&F



ELBMDRRMF100X90

CODE	DESCRIPTION	BOX
ELBMDRRMF100X15	100mm 15°	-
ELBMDRRMF100X30	100mm 30°	-
ELBMDRRMF100X60	100mm 60°	-
ELBMDRRMF100X90	100mm 90°	-
ELBMDRRMF150X15	150mm 15°	-
ELBMDRRMF150X30	150mm 30°	-
ELBMDRRMF150X60	150mm 60°	-
ELBMDRRMF150X90	150mm 90°	-
ELBMDRRMF225X45	225mm 45°	-
ELBMDRRMF225X90	225mm 88°	-
ELBMDRRMF300X45	300mm 45°	-
ELBMDRRMF300X90	300mm 88°	-

## JUNCTIONS - UNGLASSED

### 45° JUNCTIONS RRJ F&F



JMDRR225X150X45

CODE	DESCRIPTION	BOX
JMDRR100X100X45	100mm x 100mm 45°	
JMDRR225X100X45	225mm x 100mm 45°	
JMDRR225X150X45	225mm x 150mm 45°	
JMDRR225X225X45	225mm x 225mm 45°	
JMDRR300X100X45	300mm x 100mm 45°	
JMDRR300X150X45	300mm x 150mm 45°	
JMDRR300X225X45	300mm x 225mm 45°	
JMDRR300X300X45	300mm x 300mm 45°	

OTHER SIZES AVAILABLE



JMDRR150X150X90

### 88° JUNCTIONS RRJ F&F - SWEEP (RILEYS)

CODE	DESCRIPTION	BOX
JMDRR100X100X90	100mm x 100mm 90°	
JMDRR225X150X90	225mm x 150mm 88°	

OTHER SIZES AVAILABLE



JMDRS150X100X45

### JUNCTIONS RRJ WITH SWJ BRANCH (NO CAP)

CODE	DESCRIPTION	BOX
JMDRS150X100X45	150mm x 100mm 45°	

OTHER SIZES AVAILABLE

## INSPECTION OPENING - UNGLASSED



IORR150X150U2CAP

## INSPECTION OPENING WITH 2 CAPS F&F

CODE	DESCRIPTION	BOX
IORR150X150U2CAP	150mm x 150mm	

OTHER SIZES AVAILABLE

## LEVEL INVERT TAPERS - UNGLASSED



LITMDRRMF150X100

## LEVEL INVERT TAPERS RRJ M&F

CODE	DESCRIPTION	BOX
LITMDRRMF150X100	150mm x 100mm	
LITMDRRMF225X150	225mm x 150mm	
LITMDRRMF300X225	300mm x 225mm	

## RRJ DWV INSERTS



IMRR150

## DWV INSERTS

CODE	DESCRIPTION	BOX
IMRR100	100mm SN10	
IMRR150	150mm SN8	
IMRR225	225mm SN8	
IMRR300	300mm SN8	

# DWV RUBBER RING JOINT

## LONG RADIUS SWEEP DWV SEWER BENDS



RR6390150MF

### LONG RADIUS SWEEP **635MM** RADIUS RRJ M&F

CODE	DESCRIPTION	BOX
RR6390150MF	150mm 90°	



RR3015150MF

### LONG RADIUS SWEEP **3M** RADIUS RRJ M&F (QLD)

CODE	DESCRIPTION	BOX
RR302150MF	150mm 2°	SN8
RR303150MF	150mm 3°	SN8
RR305150MF	150mm 5°	SN8
RR307150MF	150mm 7.5°	SN8
RR3010150MF	150mm 10°	SN8
RR012150MF	150mm 12°	SN8
RR3015150MF	150mm 15°	SN8
RR3020150MF	150mm 20°	SN8
RR3025150MF	150mm 25°	SN8
RR3030150MF	150mm 30°	SN8
RR3035150MF	150mm 35°	SN8
RR3045150MF	150mm 45°	SN8

OTHER DEGREES AVAILABLE





DLR1045150

## SN8 DWV 1M RADIUS SWJ F&F BENDS (VIC)

CODE	DESCRIPTION	BOX
DLR1010150	150mm 10° SN8	
DLR1011150	150mm 11° SN8	
DLR1015150	150mm 15° SN8	
DLR1022150	150mm 22° SN8	
DLR1030150	150mm 30° SN8	
DLR1045150	150mm 45° SN8	
DLR1060150	150mm 60° SN8	
DLR1090150	150mm 90° SN8	

OTHER DEGREES AVAILABLE



RR1022150MF

## SN8 DWV 1M RADIUS RRJ M&F BENDS (NSW)

CODE	DESCRIPTION	BOX
RR105150MF	150mm 5° SN8	
RR1010150MF	150mm 10° SN8	
RR1010150MF	150mm 15° SN8	
RR1022150MF	150mm 22° SN8	
RR1030150MF	150mm 30° SN8	
RR1045150MF	150mm 45° SN8	

OTHER DEGREES AVAILABLE

## BENDS (ELBOWS) - GLASSED REINFORCED



ELBRRFF150X15

### BENDS RRJ F&F

CODE	DESCRIPTION	BOX
ELBRRFF100X45	100mm 45°	
ELBRRFF100X60	100mm 60°	
ELBRRFF100X90	100mm 88°	
ELBRRFF150X15	150mm 15°	
ELBRRFF150X30	150mm 30°	
ELBRRFF150X45	150mm 45°	
ELBRRFF150X60	150mm 60°	
ELBRRFF150X90	150mm 88°	
ELBRRFF225X45	225mm 45°	
ELBRRFF225X90	225mm 88°	
ELBRRFF300X45	300mm 45°	
ELBRRFF300X90	300mm 88°	

OTHER SIZES AVAILABLE

### BENDS RRJ M&F



ELBRRMF150X90

CODE	DESCRIPTION	BOX
ELBRRMF100X45	100mm 45°	
ELBRRMF100X60	100mm 60°	
ELBRRMF100X90	100mm 90°	
ELBRRMF150X15	150mm 15°	
ELBRRMF150X30	150mm 30°	
ELBRRMF150X45	150mm 45°	
ELBRRMF150X60	150mm 60°	
ELBRRMF150X90	150mm 90°	
ELBRRMF225X45	225mm 45°	
ELBRRMF225X90	225mm 88°	
ELBRRMF300X45	300mm 45°	
ELBRRMF300X90	300mm 90°	

OTHER SIZES AVAILABLE

## GRP WRAPPED / 'C' TYPE DWV SEWER JUNCTIONS

### GRP WRAPPED DWV SEWER JUNCTIONS RRJ F&F



JSRR150X100X45

CODE	DESCRIPTION	BOX
JSRR100X100X45	100mm x 100mm 45°	
JSRR150X150X45	150mm x 150mm 45°	
JSRR150X100X45	150mm x 100mm 45°	
JSRR225X100X45	225mm x 100mm 45°	
JSRR225X150X45	225mm x 150mm 45°	
JSRR225X225X45	225mm x 225mm 45°	
JSRR300X100X45	300mm x 100mm 45°	
JSRR300X150X45	300mm x 150mm 45°	
JSRR300X225X45	300mm x 225mm 45°	
JSRR300X300X45	300mm x 300mm 45°	

OTHER SIZES AVAILABLE

### 'C' TYPE DWV SEWER JUNCTIONS RRJ



JSRRC100X100X90

CODE	DESCRIPTION	BOX
JSRRC100X100X45	100mm x 100mm 45°	
JSRRC100X100X90	100mm x 100mm 90°	
JSRRC150X150X45	150mm x 150mm 45°	

OTHER SIZES AVAILABLE

## DEEP SEWER JUNCTIONS

### JUNCTIONS RRJ F&F



JDSRRL150X100X90

CODE	DESCRIPTION	BOX
JDSRRL100X100X90	100mm x 100mm 45°	
JDSRRL150X100X90	150mm x 100mm 90°	
JDSRRL150X150X90	150mm x 150mm 90°	

OTHER SIZES AVAILABLE

# DWV RUBBER RING JOINT

## LEVEL INVERT TAPERS RRJ M&F - GLASS REINFORCED



LITRRMF150X100

### LEVEL INVERT TAPER RRJ M&F

CODE	DESCRIPTION	BOX
LITRRMF150X100	150mm x 100mm	
LITRRMF225X150	225mm x 150mm	
LITRRMF300X225	300mm x 225mm	

OTHER SIZES AVAILABLE

## INSPECTION OPENINGS - GLASS REINFORCED

### INSPECTION OPENING WITH 2 CAPS F&F

CODE	SIZE	BOX
IORR100X100G2CAP	100mm	
IORR150X150G2CAP	150mm	



IORR100X100G2CAP

OTHER SIZES AVAILABLE INCLUDING 1 CAP

## SLIP COUPLINGS - GLASS REINFORCED & MOULDED HEAVY DUTY

### SLIP COUPLING



RSCMRR150

CODE	SIZE	DESCRIPTION
RSCMRR100	100mm (M)	RRJ <b>HEAVY DUTY</b> DWV COUPLING SLIP RRJ 100 (M)
RSCMRR150	150mm (M)	RRJ <b>HEAVY DUTY</b> DWV COUPLING SLIP RRJ 150 (M)
COUREPSLIP225	225mm	RRJ DWV COUPLING SLIP RRJ 225
COUREPSLIP300	300mm	RRJ DWV COUPLING SLIP RRJ 300

OTHER SIZES AVAILABLE

## MANHOLE COUPLINGS WITH WEEP RINGS



FEHW150MF

### MANHOLE SOCKET SANDED RRJ M&F - WITH RINGS SOLID WALL SN8/SN10 (QLD - NSW)

CODE	SIZE	DESCRIPTION
FEHW100MF	100mm	DWV 100MM MANHOLE COUPLING FITTING SANDED SOCKET W/ RINGS
FEHW150MF	150mm	DWV 150MM MANHOLE COUPLING FITTING SANDED SOCKET W/ RINGS
FEHW225MF	225mm	DWV 225MM MANHOLE COUPLING FITTING SANDED SOCKET W/ RINGS
FEHW300MF	300mm	DWV 300MM MANHOLE COUPLING FITTING SANDED SOCKET W/ RINGS
FEHW375MF	375mm	DWV 375MM MANHOLE COUPLING FITTING SANDED SOCKET W/ RINGS



FEH150WMM

### MANHOLE SPIGOT SANDED RRJ M&M SN8/SN10

CODE	SIZE	DESCRIPTION
FEH100WMM	100mm	DWV 100MM MANHOLE COUPLING FITTING SANDED SPIGOT W/ RINGS
FEH150WMM	150mm	DWV 150MM MANHOLE COUPLING FITTING SANDED SPIGOT W/ RINGS
FEH225WMM	225mm	DWV 225MM MANHOLE COUPLING FITTING SANDED SPIGOT W/ RINGS
FEH300WMM	300mm	DWV 300MM MANHOLE COUPLING FITTING SANDED SPIGOT W/ RINGS
FEH375WMM	375mm	DWV 375MM MANHOLE COUPLING FITTING SANDED SPIGOT W/ RINGS

INCLUDES WEEP RINGS



FEH150MF

### MANHOLE SOCKET UNSANDED RRJ M&F SN8/SN10

CODE	SIZE	DESCRIPTION
FEH100MF	100mm	DWV 100MM MANHOLE COUPLING FITTING UNSANDED SOCKET
FEH150MF	150mm	DWV 150MM MANHOLE COUPLING FITTING UNSANDED SOCKET
FEH225MF	225mm	DWV 225MM MANHOLE COUPLING FITTING UNSANDED SOCKET
FEH300MF	300mm	DWV 300MM MANHOLE COUPLING FITTING UNSANDED SOCKET
FEH375MF	375mm	DWV 375MM MANHOLE COUPLING FITTING UNSANDED SOCKET



FEHWV150MF

## MANHOLE SOCKET RRJ M&F - WITH SOLID WALL SN8/SN10 (VIC - TAS)

CODE	SIZE	DESCRIPTION
FEHWV100MF	100mm	DWV 100MM MANHOLE COUPLING FITTING SANDED SOCKET
FEHWV150MF	150mm	DWV 150MM MANHOLE COUPLING FITTING SANDED SOCKET
FEHWV225MF	225mm	DWV 225MM MANHOLE COUPLING FITTING SANDED SOCKET
FEHWV300MF	300mm	DWV 300MM MANHOLE COUPLING FITTING SANDED SOCKET
FEHWV375MF	375mm	DWV 375MM MANHOLE COUPLING FITTING SANDED SOCKET



FEHWV150FF

## MANHOLE SOCKET SANDED RRJ F&F - WITH SOLID WALL SN8/SN10

CODE	SIZE	DESCRIPTION
FEHWV100FF	100	DWV 100MM MANHOLE COUPLING FITTING SANDED SOCKET
FEHWV150FF	150	DWV 150MM MANHOLE COUPLING FITTING SANDED SOCKET
FEHWV225FF	225	DWV 225MM MANHOLE COUPLING FITTING SANDED SOCKET
FEHWV300FF	300	DWV 300MM MANHOLE COUPLING FITTING SANDED SOCKET
FEHWV375FF	375	DWV 375MM MANHOLE COUPLING FITTING SANDED SOCKET



PN12FEHW150MF

## MANHOLE PN12 RRJ COUPLINGS/SPIGOTS

CODE	SIZE	DESCRIPTION
PN12FEH150MF	150	PN12 S1 PLAIN SHORT RRJ MF (Sewer application only)
PN12FEHW150MF	150	PN12 S1 SANDED SHORT RRJ MF (Sewer application only)
PN12FEH150WMM	150	PN12 S1 PLAIN SPIGOT RRJ MM (Sewer application only)
PN12FEH225MF	225	PN12 S1 PLAIN SHORT RRJ MF (Sewer application only)
PN12FEHW225MF	225	PN12 S1 SANDED SHORT RRJ MF (Sewer application only)
PN12FEH225WMM	225	PN12 S1 SANDED SHORT RRJ MM (Sewer application only)

## FULLY MOULDED HEAVY DUTY FITTINGS - JUNCTIONS, BENDS & INSPECTION OPENINGS



EMRR100X45

### 45° BENDS RRJ HEAVY DUTY F&F

CODE	SIZE	DESCRIPTION
EMRR100X45	100mm 45°	RRJ DWV SN10 BEND FF 100X45 MOULDED
EMRR150X45	150mm 45°	RRJ DWV SN10 BEND FF 150X45 MOULDED



EMRR100X43MF

### 43° BENDS RRJ HEAVY DUTY M&F

CODE	SIZE	DESCRIPTION
EMRR100X43MF	100mm 43°	RRJ DWV SN10 BEND MF 100X43 MOULDED
EMRR150X43MF	150mm 43°	RRF DWV SN10 BEND MF 150X43 MOULDED



JMRR150X100X45

### 45° JUNCTION HEAVY DUTY RRJ F&F

CODE	SIZE	DESCRIPTION
JMRR150X100X45	150mm x 100mm 45°	RRJ DWV SN8 JUNCTION FF 150X100X45 MOULDED
JMRR150X150X45	150mm x 150mm 45°	RRJ DWV SN8 JUNCTION FF 150X150X45 MOULDED
JMRC150X150X45	150mm x 150mm 45°	RRJ DWV SN8 JUNCTION SWJBR W/C 150X45 MOULDED



JMRR150X100X45MF

## JUNCTION HEAVY DUTY RRJ

CODE	SIZE	DESCRIPTION
JMRR150X100X45MF	150mm x 100mm 45°	RRJ DWV SN8 JUNCTION M&F 150X100X45 MLD
JMRR150X150X45MF	150mm x 150mm 45°	RRJ DWV SN8 JUNCTION M&F 150X150X45 MLD
JMRR150X150X88	150mm x 150mm 88°	RRJ DWV SN8 JUNCTION 150X150X88

## 88° JUNCTION HEAVY DUTY

CODE	SIZE	DESCRIPTION
JMRR150X150X88	150mm x 150mm 88°	RRJ DWV SN8 JUNCTION 150X150X88



SAM150MF

## SPIGOT ADAPTOR

CODE	SIZE	DESCRIPTION
SAM150MF	150mm	DWV ACCESS SPIGOT ADAPTOR 150MM SN8 W/ CAP



IOMRR1002CAP

## INSPECTION OPENINGS WITH 2 CAPS HEAVY DUTY F&F

CODE	SIZE	DESCRIPTION
IOMRR1002CAP	100mm	RRJ DWV SN10 INSPECTION OPENING 100MM 2 CAP MLD
IOMRR1502CAP	150mm	RRJ DWV SN8 INSPECTION OPENING 150MM 2 CAP MLD



## DROP JUNCTIONS/BENDS/ VERTICAL BACKDROP ASSEMBLIES

### VERTICAL BACKDROP ASSEMBLIES RRJ M&F



VERTBACK100X100

CODE	SIZE	DESCRIPTION
------	------	-------------

VERTBACK100X100	100mm x 100mm	RRJ DWV FABFIT VERTICAL BACKDROP 100X100
VERTBACK150X150	150mm x 150mm	RRJ DWV FABFIT VERTICAL BACKDROP 150X150

OTHER SIZES AVAILABLE

### DROP JUNCTIONS RRJ M&F - GLASS REINFORCED



RRDJ22590MFM

CODE	SIZE	DESCRIPTION
------	------	-------------

RRDJ10090MFM	100mm	RRJ DWV FABFIT DROP JUNCTION SN10 GRP M/F/M 100MM
RRDJ15090MFM	150mm	RRJ DWV FABFIT DROP JUNCTION SN8 GRP M/F/M 150MM
RRDJ22590MFM	225mm	RRJ DWV FABFIT DROP JUNCTION SN8 GRP M/F/M 225MM

OTHER SIZES AVAILABLE

### DROP BENDS RRJ UNGLASSED



DBSEW150X90FF

CODE	SIZE	DESCRIPTION
------	------	-------------

DBSEW100X90FF	100mm	DWV HOLMAN DROP BEND SN10 UNGLASSED F/F 100M SW5
DBSEW150X90FF	150mm	DWV HOLMAN DROP BEND SN8 UNGLASSED F/F 150M SW5
DBSEW225X90FF	225mm	DWV HOLMAN DROP BEND SN8 UNGLASSED F/F 225M SW5
DBSEW100X90MF	100mm	DWV HOLMAN DROP BEND SN10 UNGLASSED M/F 100M SW5
DBSEW150X90MF	150mm	DWV HOLMAN DROP BEND SN8 UNGLASSED M/F 150M SW5
DBSEW225X90MF	225mm	DWV HOLMAN DROP BEND SN8 UNGLASSED M/F 225M SW5
DBSEW225X150X90	225mm x 150mm	DWV HOLMAN DROP BEND SN8 UNGLASSED M/F 225X150M SW5

OTHER SIZES AVAILABLE

# DWV Heavy Duty

DRAINAGE, WASTE AND VENT FITTINGS MADE TO AUSTRALIAN AND NEW ZEALAND STANDARDS

35

DWV 100mm Bends

37

DWV 150mm Bends

39

DWV 100mm Junctions

40

DWV 150mm Junctions

42

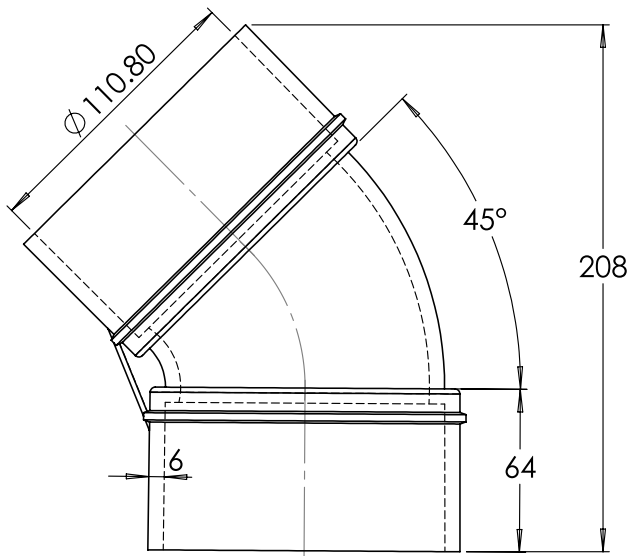
DWV Inspection Opens & Lit

HOLMAN INDUSTRIES OFFERS A COMPREHENSIVE RANGE OF WATERMARK APPROVED FITTINGS MANUFACTURED TO AS/NZS 1260 STANDARD.

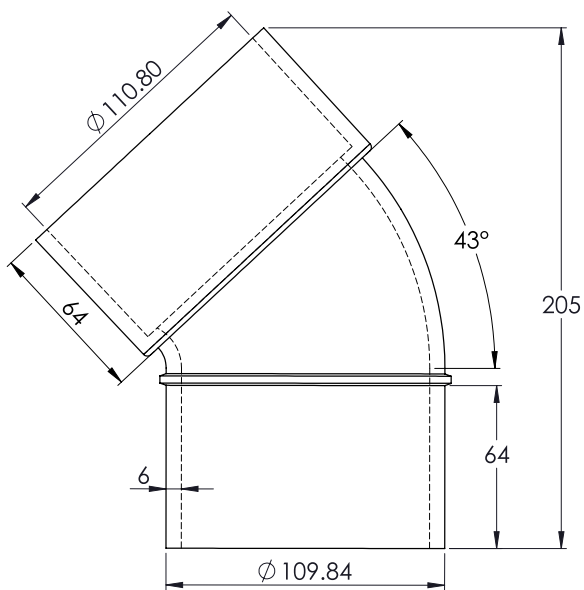


DWV 100MM BENDS

NOM SIZE	PRODUCT CODE	DESCRIPTION	CARTON QTY
DN100	HCB100X45	100mm x 45°	15
DN100	HCB100X43MF	100mm x 43° MF	16



HCB100X45

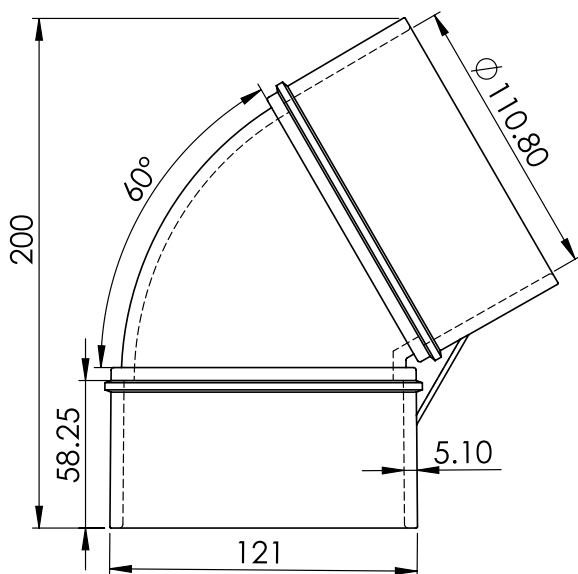


HCB100X43MF

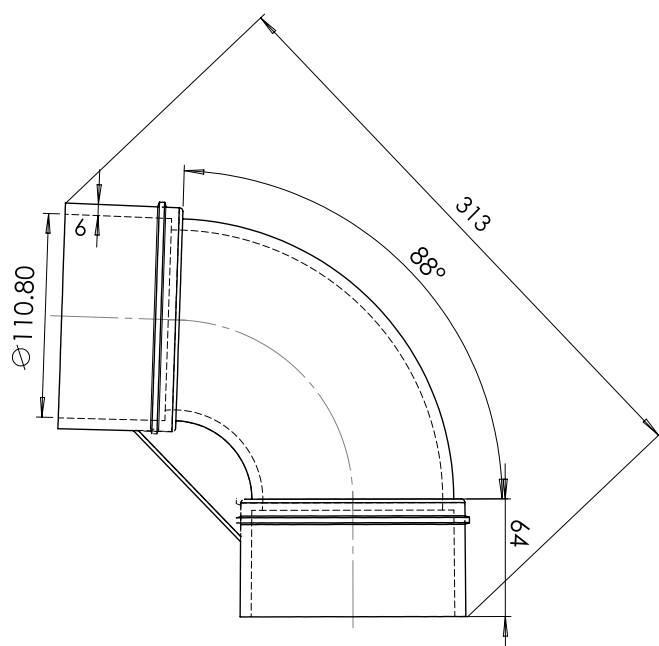
# DWV HD RANGE

## DWV 100MM BENDS

NOM SIZE	PRODUCT CODE	DESCRIPTION	CARTON QTY
DN100	HCB100X60	100mm x 60°	TBC
DN100	HCB100X88	100mm x 88°	10



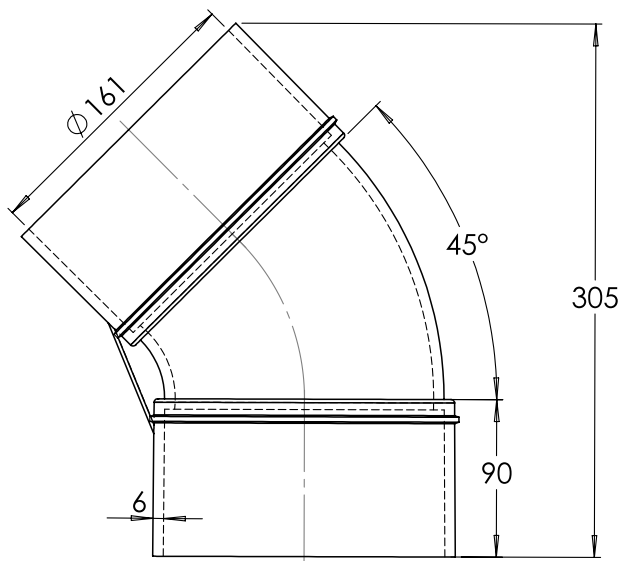
HCB100X60



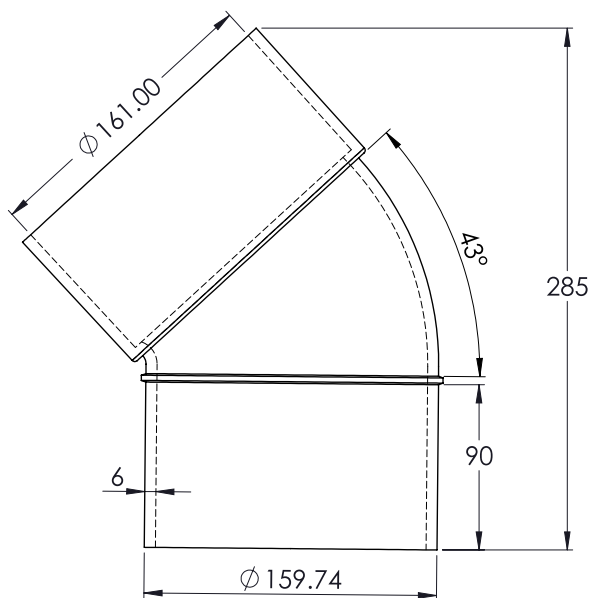
HCB100X88

DWV 150MM BENDS

NOM SIZE	PRODUCT CODE	DESCRIPTION	CARTON QTY
DN150	HCB150X45	150mm x 45°	6
DN150	HCB150X43MF	150mm x 43° MF	8



HCB150X45

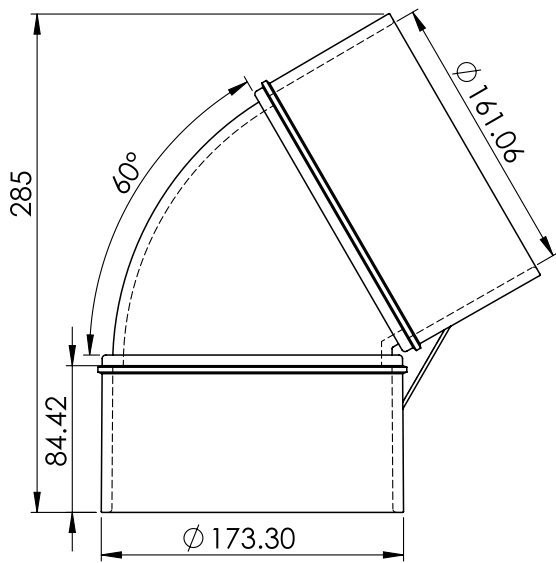


HCB150X43MF

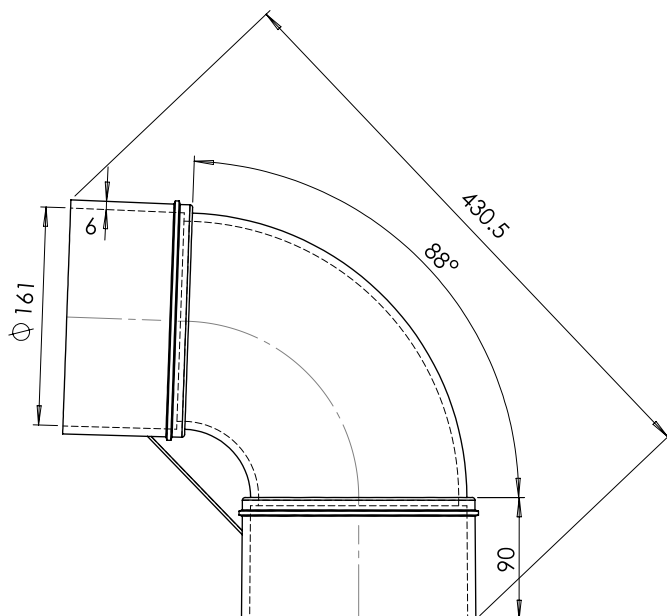
# DWV HD RANGE

## DWV 150MM BENDS

NOM SIZE	PRODUCT CODE	DESCRIPTION	CARTON QTY
DN150	HCB150X60	150mm x 60°	TBC
DN150	HCB150X88	150mm x 88°	6



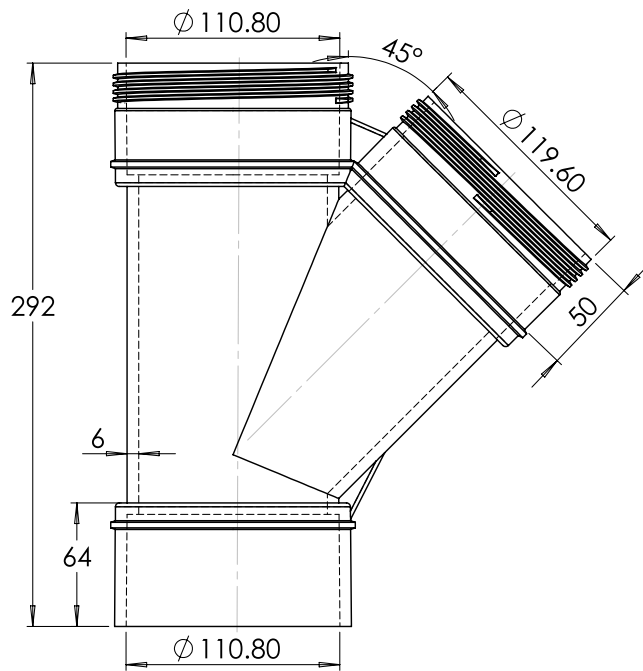
HCB150X60



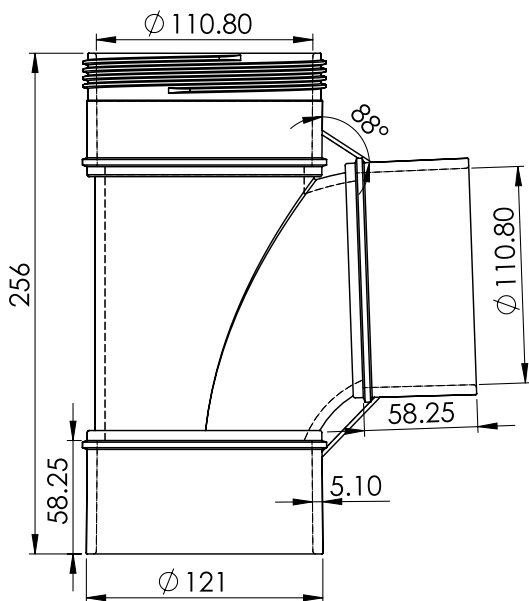
HCB150X88

DWV 100MM JUNCTIONS

NOM SIZE	PRODUCT CODE	DESCRIPTION	CARTON QTY
DN100	HCJ100X45	100mm x 45°	10
DN100	HCJ100X88	100mm x 88°	TBC



HCJ100X45

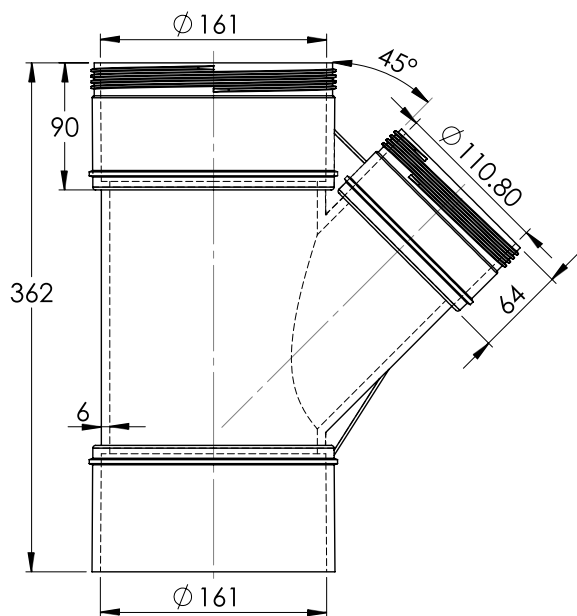


HCJ100X88

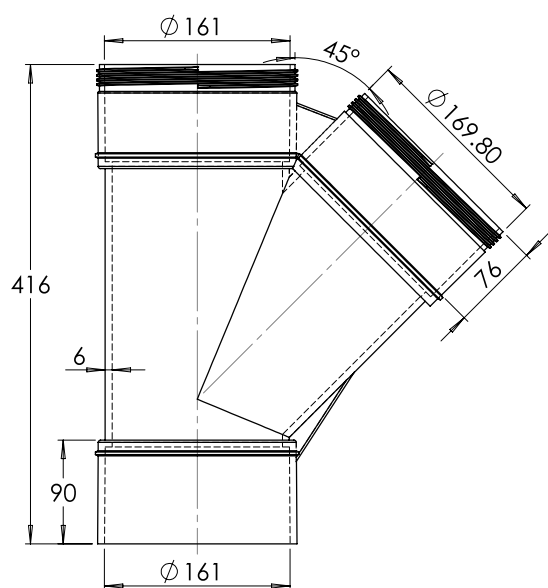
# DWV HD RANGE

## DWV 150MM JUNCTIONS

NOM SIZE	PRODUCT CODE	DESCRIPTION	CARTON QTY
DN150	HCJ150X45	150mm x 100mm x 45°	4
DN150	HCJ150X88	150mm x 150mm x 45°	3



HCJ150X100X45

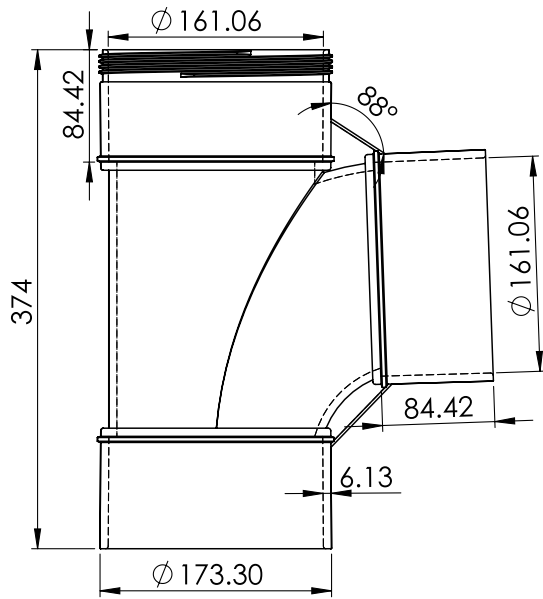


HCJ150X150X45



DWV 150MM JUNCTIONS

NOM SIZE	PRODUCT CODE	DESCRIPTION	CARTON QTY
DN150	HCJ150X88	150 x 88°	TBC

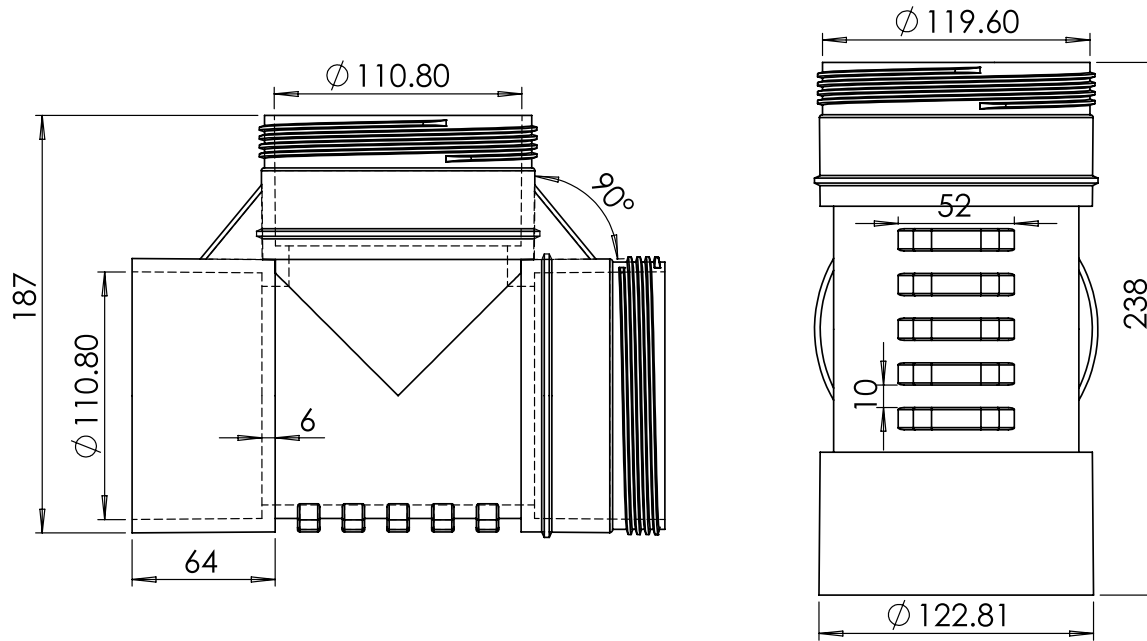


HCJ150X88

# DWV HD RANGE

## DWV INSPECTION OPENS & LIT

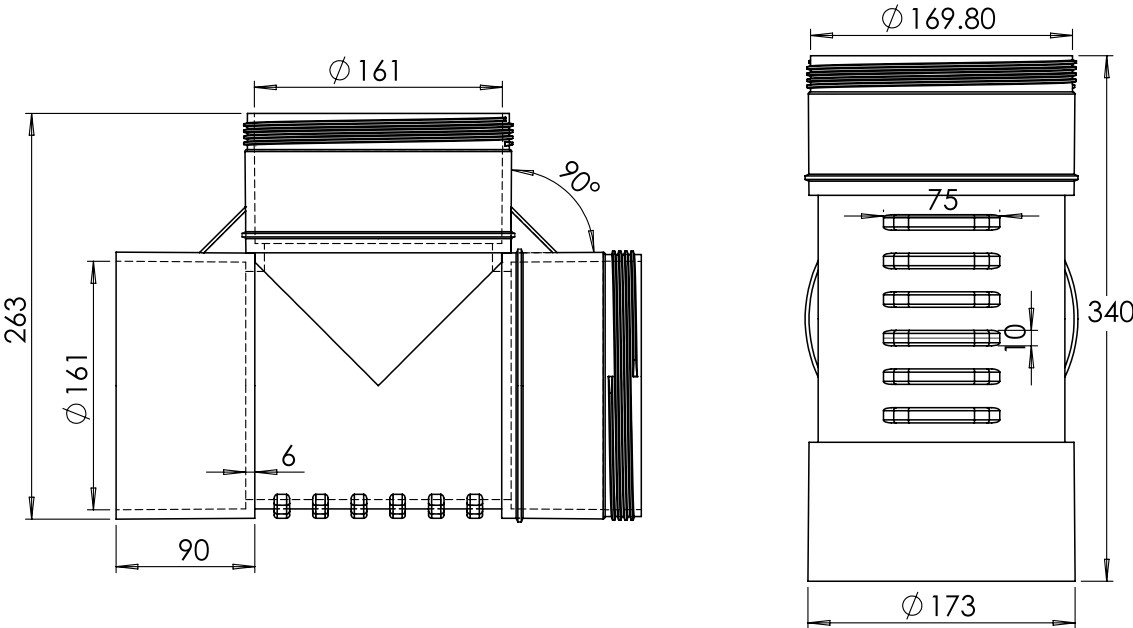
NOM SIZE	PRODUCT CODE	DESCRIPTION	CARTON QTY
DN100	HCIO100	100mm	10



HCIO100

DWV INSPECTION OPENINGS

NOM SIZE	PRODUCT CODE	DESCRIPTION	CARTON QTY
DN150	HCI0150	150mm	7



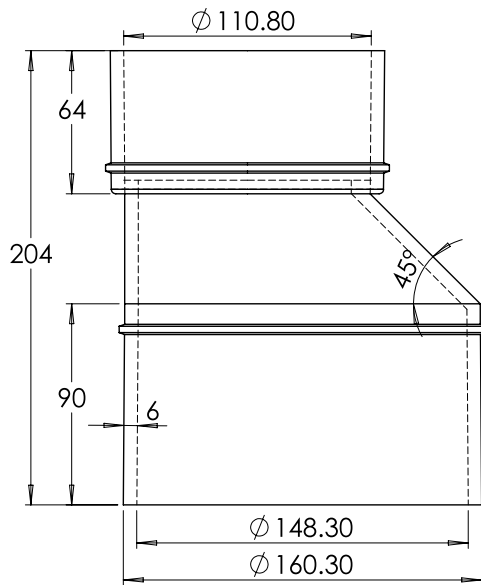
HCLIT150X100

# DWV HD RANGE

## DWV INSPECTION OPENS & LIT

NOM SIZE	PRODUCT CODE	DESCRIPTION	CARTON QTY
DN150	HCLIT150X100	150mm x 100mm	15

HCIO150



DWV STABILISED HD BEND

NOM SIZE	PRODUCT CODE	DESCRIPTION	CARTON QTY
DN100	DWVF0080	100mm x 88°	



DWV STABILISED HD DISCONNECTOR TRAP

NOM SIZE	PRODUCT CODE	DESCRIPTION	CARTON QTY
DN100	DWVF0532	100mm	



# Holtech Fittings

CIVIL FITTINGS AND PIPE MADE TO AUSTRALIAN AND NEW ZEALAND STANDARDS

47

PE 45° Junction  
PE Puddle Flange

48

PE Reducer  
Inspection Opening PE X PVC

49

Adaptor 110 PE X 100 PVC  
PE 160 X 110 X 88 Sweep Junction

50

PE EXT/INT Back Drop Bend 160mm  
PE 160 Internal 90° Backdrop Junction

51

PE Equal Sweep Junction  
PE Sweep Junction Type C

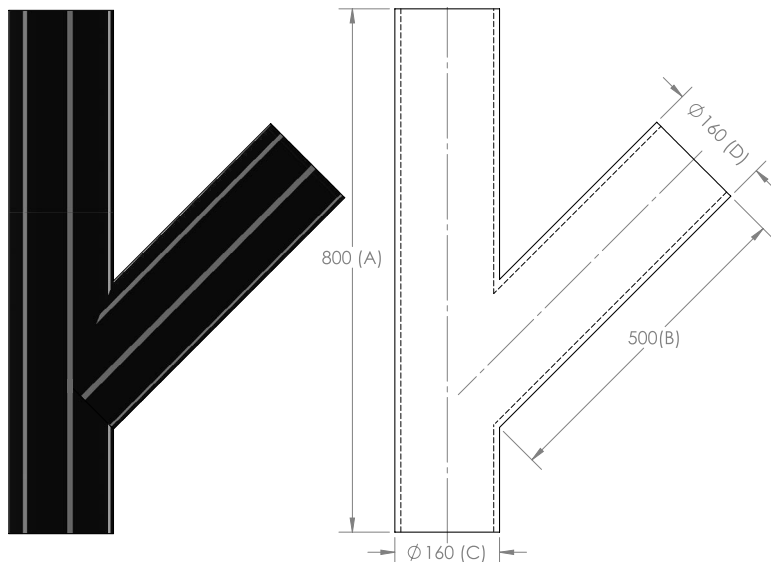
52

PE 160 External 90° Backdrop Junction  
PE External End Caps

HOLMAN INDUSTRIES OFFERS A COMPREHENSIVE RANGE OF ISO TYPE 5 APPROVED FITTINGS MANUFACTURED TO AS/NZS 4130 STANDARD



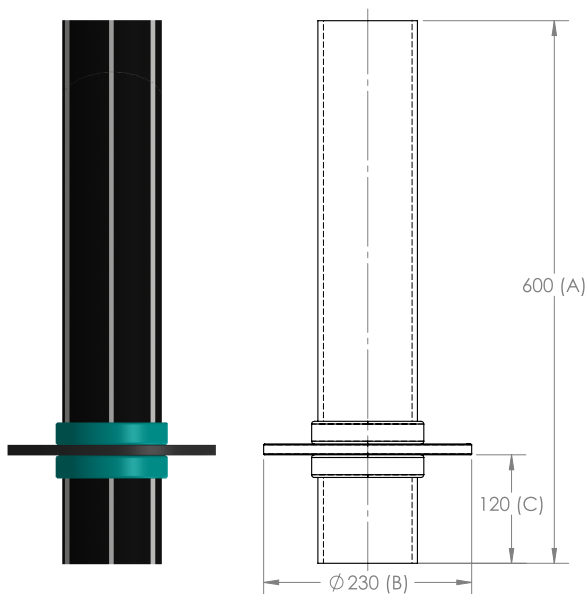
PE 45° JUNCTION



HTJ160X160X45

NOM SIZE	PRODUCT CODE	DIMENSION (MM)			
		A	B	C	D
45°	HTJ160X160X45	800	500	160	160
45°	HTJ160X110X45	600	510	160	110
45°	HTJ110X110X45	600	500	110	110

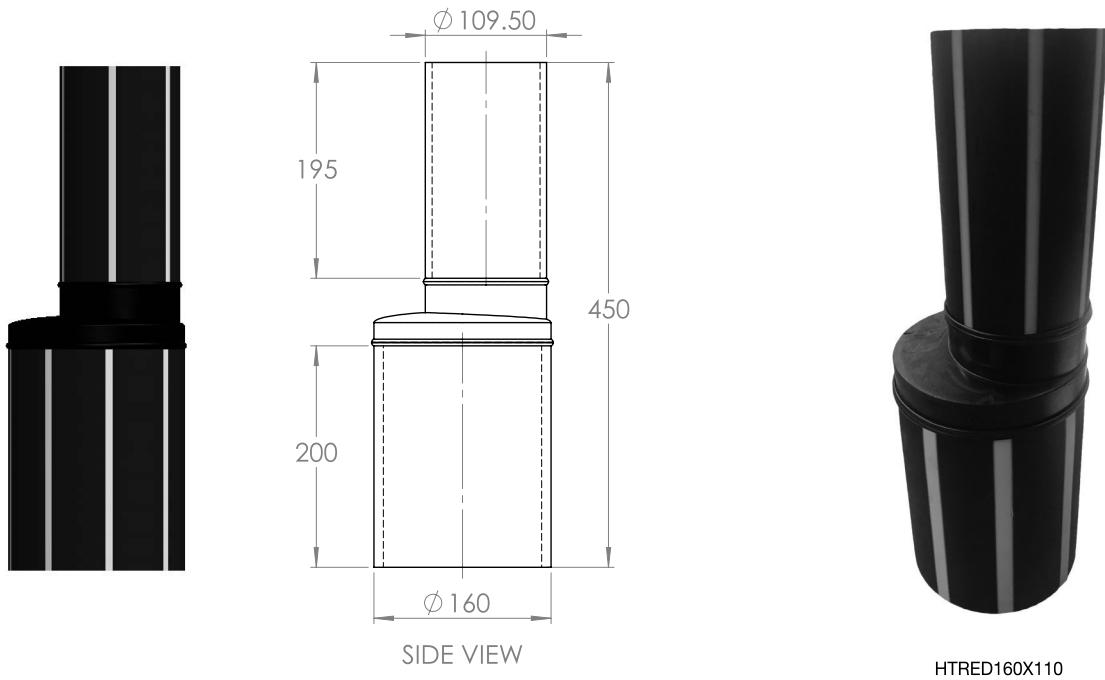
PE PUDDLE FLANGE



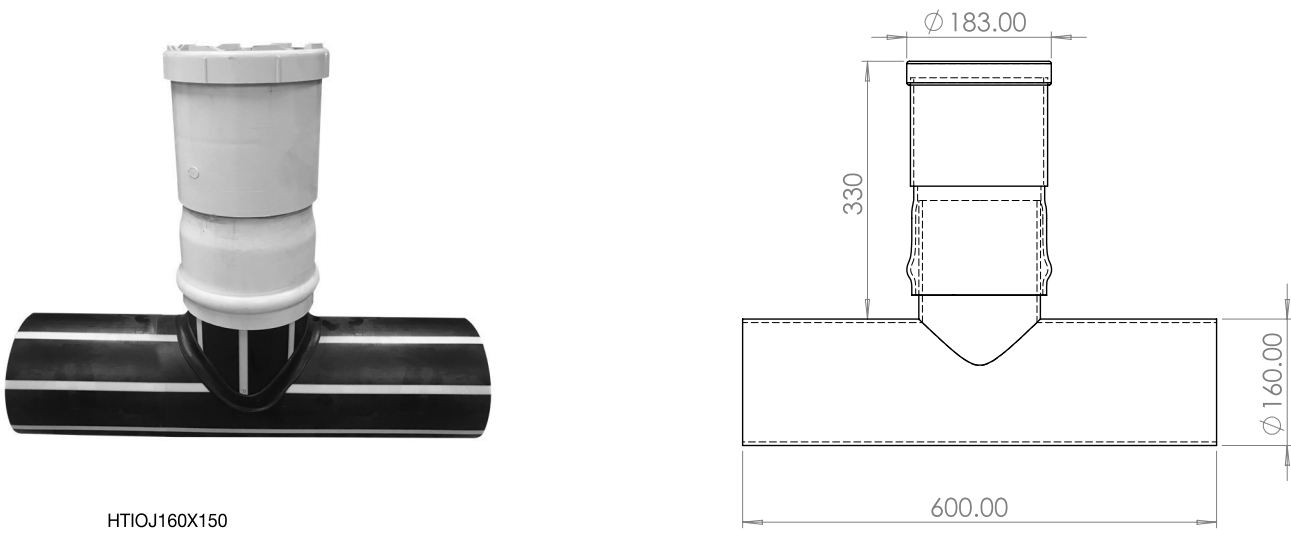
HTPF110

NOM SIZE	PRODUCT CODE	DIMENSION (MM)		
		A	B	C
110mm	HTPF110	600	230	120
160mm	HTPF160	600	270	120

## PE REDUCER

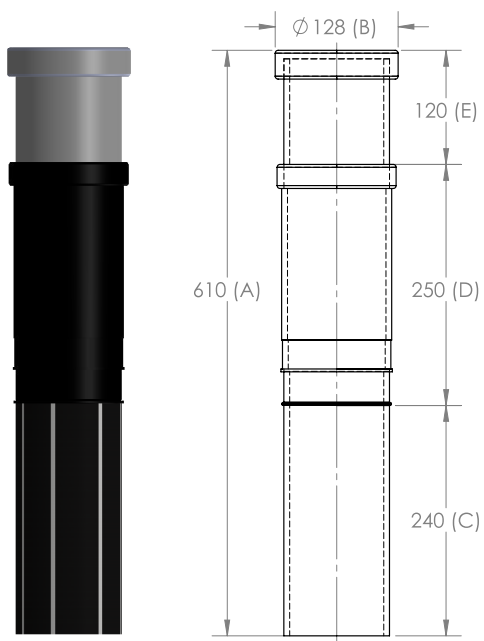


## INSPECTION OPENING PE X PVC





## ADAPTOR 110 PE X 100 PVC

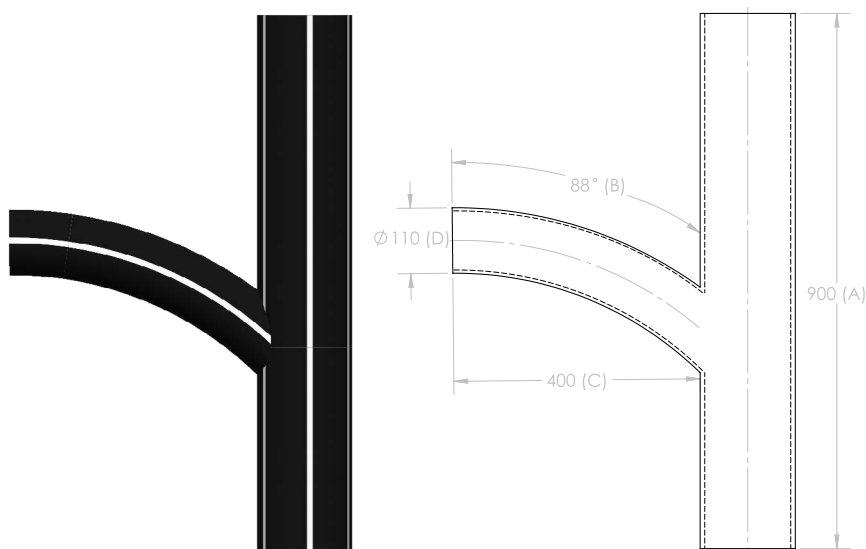


HTAD110X100

HTAD160X150

NOM SIZE	PRODUCT CODE	DIMENSION (MM)				
		A	B	C	D	E
110	HTAD110X100	610	128	240	250	120
160	HTAD160X150	678	183	220	287	171

## PE 160 X 110 X 88 SWEEP JUNCTION



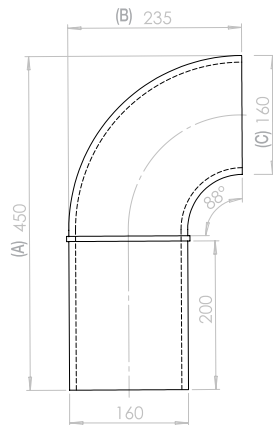
HTJ160X110X88

NOM SIZE	PRODUCT CODE	DIMENSION (MM)			
		A	B	C	D
160	HTJ160X110X88	900	880	400	110

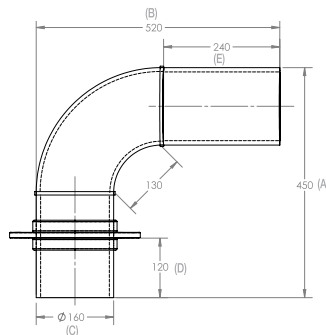
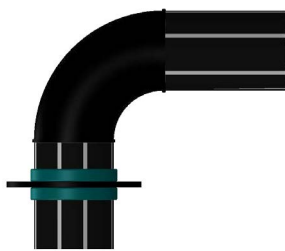
## PE EXT/INT BACK DROP BEND 160MM



HTBDE160IN



NOM SIZE	PRODUCT CODE	DIMENSION (MM)		
		A	B	C
110	HTBDE110IN	385	151	110
160	HTBDE160IN	450	235	160

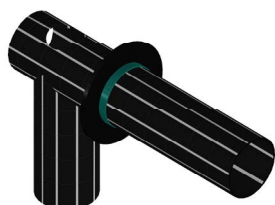


NOM SIZE	PRODUCT CODE	DIMENSION (MM)				
		A	B	C	D	E
110	HTBDE110EX	400	400	110	115	250
160	HTBDE160EX	450	520	160	120	240

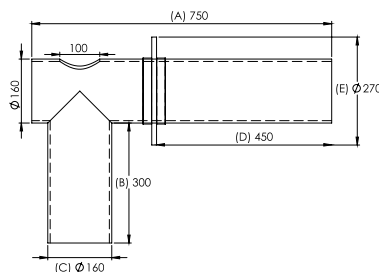


HTBDE160EX

## PE 160 INTERNAL 90° BACKDROP JUNCTION

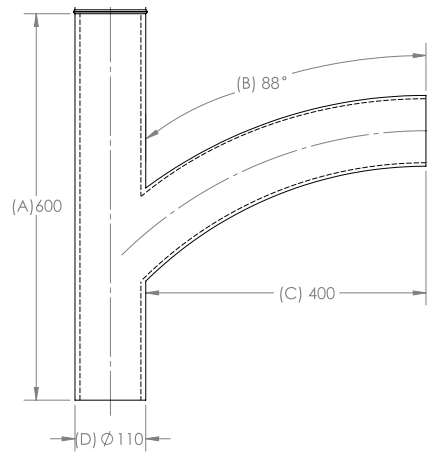


HTBDJ160X90IN



NOM SIZE	PRODUCT CODE	DIMENSION (MM)				
		A	B	C	D	E
110	HTBDJ110X90IN	600	290	110	335	250
160	HTBDJ160X90IN	750	300	160	450	270

## PE EQUAL SWEEP JUNCTION



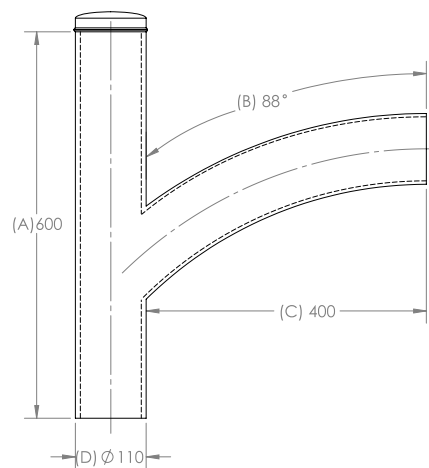
HTJ100X100X88



HTJ160X160X88

NOM SIZE	PRODUCT CODE	DIMENSION (MM)			
		A	B	C	D
110	HTJ110X110X88	600	880	400	110
160	HTJ160X160X88	600	880	400	160

## PE SWEEP JUNCTION TYPE C



HTJC110

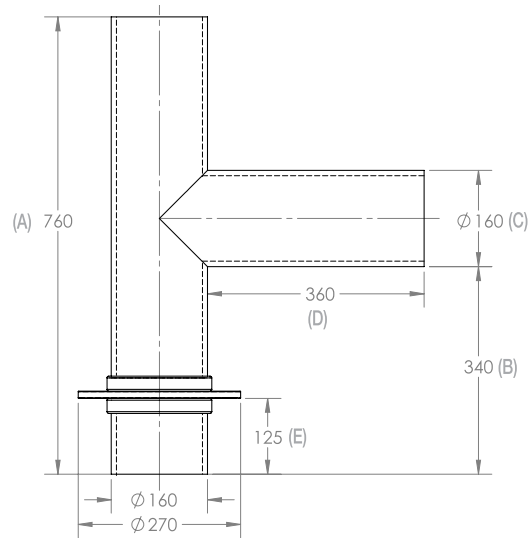
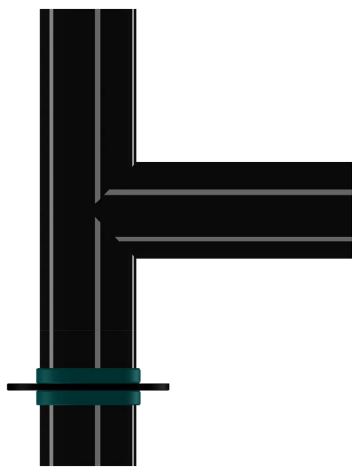


HTJC160

NOM SIZE	PRODUCT CODE	DIMENSION (MM)			
		A	B	C	D
110	HTJC110	600	880	400	110
160	HTJC160	600	880	400	160
160x110	HTJC160X110X88	600	880	400	160X100

# HOLTECH FITTINGS

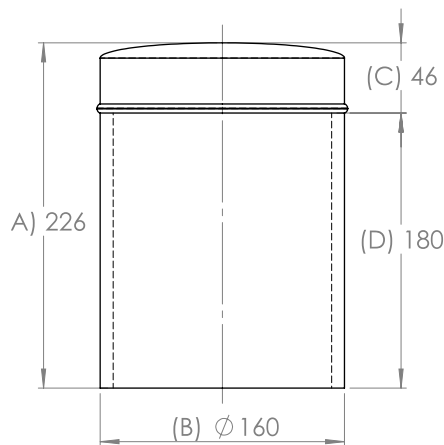
## PE 160 EXTERNAL 90° BACKDROP JUNCTION



HTBDJ160X90EX

NOM SIZE	PRODUCT CODE	DIMENSION (MM)				
		A	B	C	D	E
110	HTBDJ110X90EX	600	290	110	290	120
160	HTBDJ160X90EX	760	340	160	360	125

## PE EXTERNAL END CAPS



SIDE VIEW



NOM SIZE	PRODUCT CODE	DIMENSION (MM)			
		A	B	C	D
110	HTCAPEXT110	226	110	46	180
160	HTCAPEXT160	226	160	46	180



# S&P Traps

FITTINGS MADE TO AUSTRALIAN STANDARDS

---

55

S&P Traps  
Threaded Adaptor  
Air Admittance Valve

---

HOLMAN INDUSTRIES OFFERS A COMPREHENSIVE RANGE OF APPROVED FITTINGS MANUFACTURED TO AS2887 STANDARD.



## S&P PVC TRAPS

CODE	DESCRIPTION	BAG	BOX
HPS4401	40mm Standard P Trap With One Nipple	-	56
HPS5411	50mm Standard P Trap With Two Nipples	-	30
HPS4100	*40mm Combination S&P Trap With One Nipple	-	42
HPS4101	40mm Combination S&P Trap With One Nipple	-	42
HPS5101	50mm Combination S&P Trap With Two Nipples	-	24
HPS4301	40mm Standard S Trap With One Nipple	-	48
HPS5301	50mm Standard S Trap With Two Nipples	-	24
HPS4201	40mm Short Combination S&P Trap	-	44
HPS5201	50mm Short Combination S&P Trap	-	30
HPS4402	40mm Short P Trap	-	63
HPS5402	50mm Short P Trap	-	40
HPS5601	50mm Double Bowl Connector - 400mm	-	24
HPS5701	50mm Extended Double Bowl Connector - 600mm	-	18
HPS4111	40mm Trap Repair Kit (4 Piece) x 40mm Nipple Plug	10	100
HPS5111	50mm Trap Repair Kit (4 Piece) x 50mm Nipple Plug	10	100

\* includes 40 x 32mm adaptor



HPS4401



HPS4201



HPS5411

## ADAPTORS AND RISERS

CODE	DESCRIPTION	BAG	BOX
HPS4222	40mm x 32mm PP M&F Threaded Adaptor	10	100
PWA4050	40mm x 50mm Plug & Waste Adaptor	50	200
PWR5040	50mm x 40mm Plug & Waste Reduce	35	140
PWE5120	50mm x 20mm Plug & Waste Extender	35	140
PWE5045	50mm x 45mm Plug & Waste Extender	20	80
PWE5075	50mm x 75mm Plug & Waste Extender	15	60



PWA4050

## AIR ADMITTANCE VALVE

CODE	DESCRIPTION	BAG	BOX
HPSAV01	40/50mm Air Admittance Valve	10	100



HPSAV01

# Stormwater Fittings

STORMWATER FITTINGS MADE TO AUSTRALIAN AND NEW ZEALAND STANDARDS

57

STORM PVC Kerb Adaptor  
STORM PVC Cap  
STORM PVC Couplings / Adaptor

58

STORM PVC Coupling Slip / Plain  
STORM PVC Elbow / Bend

59

STORM PVC Elbow / Bend  
STORM PVC Slab Repair Coupling

60

STORM PVC Grate  
STORM PVC Junction

61

STORM PVC Snap Tee  
STORM PVC Pipe / Socket Reducer  
STORM PVC Reducing Bush

62

STORM PVC Level Invert Taper  
STORM PVC Check Valve InLine  
STORM PVC Flange Table D

63

STORM PVC Tapping Saddle

64

STORM PVC Downpipe Adaptor  
STORM PVC Tank Screen  
STORM PVC Flap Valve

HOLMAN INDUSTRIES OFFERS A COMPREHENSIVE RANGE OF ISO TYPE 5 APPROVED FITTINGS  
MANUFACTURED TO AS/NZS 1254 STANDARD





## STORM PVC KERB ADAPTOR SLOPED

CODE	DESCRIPTION	BOX
KERBADSW90MMSL	90mm (F)	-
KERBADSW100MMSL	100mm (F)	-
KERBADSW150MMSL	150mm (F)	-



KERBADSW90MMSL    KERBADSW100MMSL

## STORM PVC KERB ADAPTOR STRAIGHT

CODE	DESCRIPTION	BOX
KERBADSW90MMST	90mm (F)	12
KERBADSW100MMST	100mm (F)	12
KERBADSW150MMST	150mm (F)	-



KERBADSW100MMST    KERBADSW90MMST

## STORM PVC CAP

CODE	DESCRIPTION	BAG	BOX
SWF0200	75mm	25	600
SWF0210	90mm	-	360
SWF0220	90mm w/ Plug	-	300
SWF0230	90mm Cap Threaded	10	200
DWVF0200	150mm	-	50
ENDM225	225mm	-	14
ENDM300	300mm	-	8
ENDSW375	375mm (F)	-	6



SWF0200  
SWF0210



SWF0220



SWF0230



ENDM300

## STORM PVC COUPLING / ADAPTOR

CODE	DESCRIPTION	BAG	BOX
SWF0300	Coupling 75mm	10	190
SWF0305	Adaptor Threaded Access 90mm	10	130
SWF0310	Coupling Threaded Access 90mm	-	130
SWF0320	Coupling Slip 90mm	-	96



SWF0300



SWF0305



SWF0310



SWF0320

## STORM PVC COUPLING SLIP /PLAIN



COUSLIPSW225



COUM225  
COUM300  
COUSW375

CODE	DESCRIPTION	BOX
SCM150	Coupling Slip 150mm	12
COUSLIPSW225	Coupling Slip 225mm (F)	-
COUM225	Coupling Threaded 225mm	6
COUM300	Coupling Plain 300mm	2
COUSW375	Coupling Plain 375mm (F)	10

## STORM PVC ELBOW F&F



SWF0410  
SWF0450



SWF0420  
SWF0460



SWF0430  
SWF0470



SWF0440



ELBM150X15



ELBM150X90



SWF0468



SWF0475

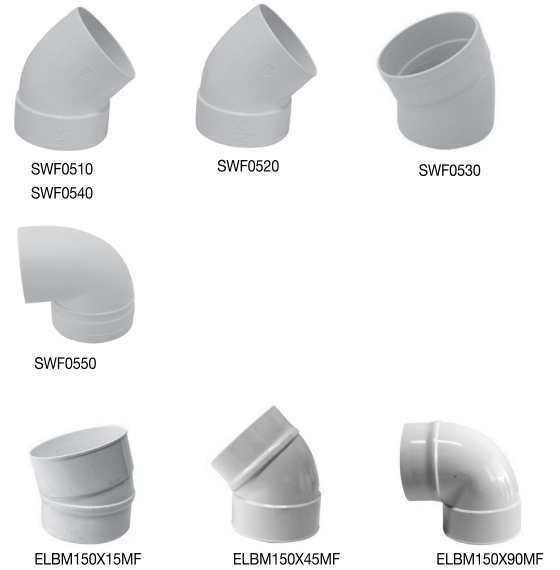
CODE	DESCRIPTION	BAG	BOX
SWF0410	75mm 22.5°	10	130
SWF0420	75mm 45°	10	110
SWF0430	75mm 90°	-	90
SWF0440	90mm 15°	-	90
SWF0450	90mm 22.5°	-	90
SWF0460	90mm 45°	-	80
SWF0468	90mm 88°	-	60
SWF0470	90mm 90°	-	60
SWF0475	90mm 90° Smooth Bend	-	60
ELBM150X5	150mm 5° DWV Quality	-	12
ELBM150X15	150mm 15°	-	12
ELBSEW150X22	150mm 22° (F)	-	-
ELBM150X30	150mm 30° DWV Quality	-	18
ELBM150X45	150mm 45°	-	18
ELBSW150X60	150mm 60° (F)	-	-
ELBM150X90	150mm 90°	-	16
ELBM225X5	225mm 5° * DWV Quality	-	1
ELBM225X15	225mm 15°	-	4
ELBSW225X22	225mm 22° (F)	-	4
ELBSW225X30	225mm 30° (F)	-	4
ELBM225X45	225mm 45°	-	2
ELBM225X88/90	225mm 88/90°	-	2
ELBSW300X5	300mm 5° (F)	-	-
ELBM300X15	300mm 15°	-	2
ELBSW300X22	300mm 22° (F)	-	-
ELBSW300X30	300mm 30° (F)	-	2
ELBM300X45	300mm 45°	-	2
ELBSW300X60	300mm 60° (F)	-	-
ELBM300X90	300mm 88°	-	2
ELBSW375X5	375mm 5° (F)	-	-
ELBSW375X15	375mm 15° (F)	-	-
ELBSW375X22	375mm 22° (F)	-	-

## STORM PVC ELBOW F&F CONT.

CODE	DESCRIPTION	BOX
ELBSW375X30	375mm 30° (F)	-
ELBM375X45	375mm 45°	-
ELBSW375X60	375mm 60° (F)	-
ELBM375X90	375mm 90°	-

## STORM PVC ELBOW M&F

CODE	DESCRIPTION	BAG	BOX
SWF0510	75mm 45°	10	110
SWF0520	90mm 15°	-	120
SWF0530	90mm 22.5°	-	90
SWF0540	90mm 45°	-	80
SWF0550	90mm 90°	-	50
ELBM150X5MF	150mm 5° DWV Quality	-	15
ELBM150X15MF	150mm 15° DWV Quality	-	18
ELBSW150X22MF	150mm 22° (F)	-	-
ELBM150X30MF	150mm 30° DWV Quality	-	18
ELBM150X45MF	150mm 45°	-	12
ELBM150X90MF	150mm 90°	-	9
ELBM225X5MF	225mm 5°	-	-
ELBM225X15MF	225mm 15°	-	4
ELBSW225X22MF	225mm 22° (F)	-	-
ELBSW225X30MF	225mm 30° (F)	-	-
ELBM225X45MF	225mm 45°	-	4
ELBM225X88/90MF	225mm 88/90°	-	4
ELBM300X15MF	300mm 15°	-	-
ELBSW300X22MF	300mm 22°(F)	-	-
ELBM300X45MF	300mm 45°	-	4
ELBM300X90MF	300mm 90°	-	2
ELBSW375X45MF	375mm 45° (F)	-	-
ELBSW375X90MF	375mm 90° (F)	-	-



## STORM PVC SLAB REPAIR COUPLING

CODE	DESCRIPTION	BOX
SLABREPAIRSW150	150mm Inpipe to Pipe Size (F)	-
SLABREPAIRSW225	225mm Inpipe to Pipe Size (F)	-
SLABREPAIRSW300	300mm Inpipe to Pipe Size (F)	-
SLABREPAIRSW375	375mm Inpipe to Pipe Size (F)	-



## STORM PVC GRATE



CODE	DESCRIPTION	PIPE SIZE (MM)	BOX
SSWF0600	Finishing Collar 90mm w/Grate	90	29
SSWF0605	Finishing Collar 90/100mm w/Grate	90/100	25
SSWF0610	Grate In Pipe 90mm w/Round Grate	90	28
SSWF0615	Grate In Pipe 90mm Grey w/Round Grate	90	28
SWF0619	Grate D Square 150mm x150mm White/Black	90/100	32
SSWF0620	Grate D Square 150mm x 150mm Plastic Mesh	90/100	10
SSWF0621	Grate D Square 150mm x 150mm Grey	90/100	10
SSWF0622	Grate D Square 150mm x150mm White/Black	90/100	10
SSWF0623	Grate D Square 150mm x 150mm S/S Mesh	90/100	10
SSWF0625	Offset Grate 190mm x 150mm Black Plastic	90	10
SSWF0626	Grate Offset 190mm x 150mm Grey	90	10
SWF0627	Grate D Square 190mm x 150mm White/Black	90	24
SSWF0630	Offset Grate 190mm x 150mm Stainless Steel	90	10
SWF0640	Inpipe Collar w/Grate 225mm	225	7

## STORM PVC JUNCTION



CODE	DESCRIPTION	BAG	BOX
SWF0650	75mm 45°	10	30
SWF0660	75mm 90°	10	70
SWF0670	90mm 45°	-	24
SWF0680	90mm 90°	-	40
JUNM150X150X45	150mm 45°	-	4
JUNM150X150X90	150mm 90°	-	6
JUNM150X100X45	150mm x 100mm 45°	-	6
JUNSW150X100X90	150mm x 100mm 90° (F)	-	-
JUNM225X225X45	225mm 45°	-	2
JUNM225X225X90	225mm 88°	-	1
JUNM225X100X45	225mm x 100mm 45°	-	4
JUNM225X100X90	225mm x 100mm 88°	-	2
JUNM225X150X45	225mm x 150mm 45°	-	3
JUNM225X150X90	225mm x 150mm 88°	-	2
JUNM300X300X45	300mm 45°	-	-
JUNSW300X300X90	300mm 90° (F)	-	-
JUNM300X100X45	300mm x 100mm 45°	-	1
JUNSW300X100X90	300mm x 100mm 90° (F)	-	-
JUNM300X150X45	300mm x 150mm 45°	-	2
JUNM300X150X90	300mm x 150mm 88°	-	2

## STORM PVC JUNCTION CONT.

CODE	DESCRIPTION	BAG	BOX
JUNM300X225X45	300mm x 225mm 45°	-	1
JUNSW300X225X90	300mm x 225mm 90° (F)	-	-
JUNSW375X375X45	375mm 45° (F)	-	-
JUNSW375X375X90	375mm 90° (F)	-	-
JUNSW375X100X45	375mm x 100mm 45° (F)	-	-
JUNSW375X100X90	375mm x 100mm 90° (F)	-	-
JUNSW375X150X45	375mm x 150mm 45° (F)	-	-
JUNSW375X150X90	375mm x 150mm 90° (F)	-	-
JUNSW375X225X45	375mm x 225mm 45° (F)	-	-
JUNSW375X225X90	375mm x 225mm 90° (F)	-	-
JUNSW375X300X45	375mm x 300mm 45° (F)	-	-
JUNSW375X300X90	375mm x 300mm 90° (F)	-	-



JUNM225X225X90

## STORM PVC SNAP TEE

CODE	DESCRIPTION	BAG	BOX
SWF0700	90mm (w/ Male Thread)	1	42



SWF0700

## STORM PVC REDUCER

CODE	DESCRIPTION	BAG	BOX
SWF0690	100mm x 90mm InPipe Reducer	-	50
SWF0750	100mm x 90mm Socket Reducer	-	85
SWF0150	Stepped Adaptor 90x75x65x50x40mm	-	200
SWF0330	Coupling Reducing 90mm x 75mm	10	230
SWF0100	Adaptor Round 90mm x 50mm	5	160
RBM150X100	150mm x 100mm *DWV Quality	-	12
RBUSHSW225X100	225mm x 100mm (F)	-	-
RBUSHSW225X150	225mm x 150mm (F)	-	-
RBUSHSW300X100	300mm x 100mm (F)	-	-
RBUSHSW300X150	300mm x 150mm (F)	-	-
RBUSHSW300X225	300mm x 225mm (F)	-	-



SWF0690



SWF0750



SWF0150



SWF0330

## STORM PVC REDUCING IN PIPE BUSHES

CODE	DESCRIPTION	BOX
RBUSHSW150X100IN	150mm x 100mm (F)	-
RBUSHSW225X100IN	225mm x 100mm (F)	-
RBUSHSW225X150IN	225mm x 150mm (F)	-
RBUSHSW300X100IN	300mm x 100mm (F)	-
RBUSHSW300X150IN	300mm x 150mm (F)	-
RBUSHSW300X225IN	300mm x 225mm (F)	-



RBUSHSW150X100

## STORM PVC LEVEL INVERT TAPER



LITSW375X225



LITSW300X100

CODE	DESCRIPTION	BOX
DWVF0400	150mm x 100mm DWV Quality	16
LITM225X100	225mm x 100mm DWV Quality	8
LITM225X150	225mm x 150mm (F) DWV Quality	4
LITM300X100	300mm x 100mm (F)	-
LITM300X150	300mm x 150mm	2
LITM300X225	300mm x 225mm DWV Quality	2
LITSW375X100	375mm x 100mm (F)	-
LITSW375X150	375mm x 150mm (F)	-
LITSW375X225	375mm x 225mm (F)	-
LITSW375X300	375mm x 300mm (F)	-

## STORM PVC CHECK VALVE INLINE UNTESTED



CHVINLINE90

CODE	DESCRIPTION	BOX
CHVINLINE90	90mm (F)	-
CHVINLINE100	100mm (F)	-
CHVINLINE150	150mm (F)	-
CHVINLINE225	225mm (F)	-
CHVINLINE300	300mm (F)	-

## STORM PVC FLANGE TABLE D UNDRILLED



FLANSW225



FLANSW150

CODE	DESCRIPTION	BOX
FLANSW100	100mm (F)	-
FLANSW150	150mm (F)	-
FLANSW225	225mm (F)	-
FLANSW300	300mm (F)	-
FLANSW375	375mm (F)	-

## STORM PVC TAPPING SADDLE

CODE	DESCRIPTION	BOX
TSSW100X100X45	100mm x 100mm 45° (F)	-
TSSW100X100X90	100mm x 100mm 90° (F)	-
TSSW100X50X45	100mm x 50mm 45° (F)	-
TSSW100X50X90	100mm x 50mm 90° (F)	-
TSM150X100X45	150mm x 100mm 45° DWV Quality	4
TSM150X100X90	150mm x 100mm 90° DWV Quality	13
TSSW150X150X45	150mm x 150mm 45° (F)	4
TSSW150X150X90	150mm x 150mm 90° (F)	-
TSSW150X50X45	150mm x 50mm 45° (F)	-
TSSW150X50X90	150mm x 50mm 90° (F)	-
TSM225X100X45	225mm x 100mm 45° DWV Quality	10
TSSW225X100X90	225mm x 100mm 90° (F)	4
TSM225X150X45	225m x 150mm 45°	4
TSSW225X150X90	225mm x 150mm 90° (F)	4
TSSW225X225X45	225mm x 225mm 45° (F)	-
TSSW225X225X90	225mm x 225mm 90° (F)	-
TSM300X100X45	300mm x 100m 45° DWV Quality	4
TSSW300X100X90	300mm x 100mm 90° (F)	-
TSM300X150X45	300m x 150mm 45° DWV Quality	4
TSSW300X150X90	300mm x 150mm 90° (F)	-
TSSW300X225X45	300mm x 225mm 45° (F)	-
TSSW300X225X90	300mm x 225mm 90° (F)	-
TSSW300X300X45	300mm x 300mm 45° (F)	-
TSSW300X300X90	300mm x 300mm 90° (F)	-
TSSW375X100X45	375mm x 100mm 45° (F)	-
TSSW375X100X90	375mm x 100mm 90° (F)	-
TSSW375X150X45	375mm x 150mm 45° (F)	-
TSSW375X150X90	375mm x 150mm 90° (F)	-
TSSW375X225X45	375mm x 225mm 45° (F)	-
TSSW375X225X90	375mm x 225mm 90° (F)	-
TSSW375X300X45	375mm x 300mm 45° (F)	-
TSSW375X300X90	375mm x 300mm 90° (F)	-
TSSW375X375X45	375mm x 375mm 45° (F)	-
TSSW375X375X90	375mm x 375mm 90° (F)	-



TSM150X100X90



TSSW225X100X90



TSSW225X225X90



TSSW300X225X45

# STORMWATER FITTINGS

## STORM PVC ADAPTOR DOWNPIPE



CODE	DESCRIPTION	BAG	BOX
SWF0035	95mm x 45mm x 90mm	-	90
SWF0040	100mm x 50mm x 75mm	10	120
SWF0050	100mm x 50mm x 90mm	-	110
SWF0055	100mm x 50mm x 90mm w/ IO *	-	110
SWF0070	100mm x 80mm x 90mm	-	80
DPASW4X2X100	100mm x 50mm x 100mm / Socketed	-	48
DPASW4X3X100	100mm x 75mm x 100mm / Socketed	-	48
DPASW4X4X90	100mm x 100mm x 90mm / Socketed	-	84
DPASW4X4X100	100mm x 100mm x 100mm / Socketed	-	36
DPASW5X3X100	125mm x 75mm x 100mm / Socketed	-	44
DPASW6X4X100	150mm x 100mm x 100mm / Socketed (F)	-	-
DPASW6X4X150	150mm x 100mm x 150mm / Socketed (F)	-	12
DPASW6X6X100	150mm x 150mm x 100mm / Socketed (F)	-	-
DPASW6X6X150	150mm x 150mm x 150mm / Socketed	-	12
DPASW225X225X225	225m x 225mm x 225mm / Socketed (F)	-	-

## STORM PVC TANK SCREEN



CODE	DESCRIPTION	BOX
TANKSCREEN90	90mm	-
TANKSCREEN100	100mm	-
TANKSCREEN150	150mm	-
TANKSCREEN225	225mm	-
TANKSCREEN300	300mm	-

## STORM FLAP VALVE



CODE	DESCRIPTION	BOX
FLAPSW300MM	300mm	-





# PVC Pressure Fittings

PVC PRESSURE FITTINGS MADE TO AUSTRALIAN AND NEW ZEALAND STANDARDS

67

PVC Valve Take Off Adaptor  
PVC Faucet Take Off Adaptor  
PVC Reducing Bush

68

PVC Coupling  
PVC Reducing Coupling  
PVC Sprinkler Adaptor

69

PVC Cap  
PVC Elbow

70

PVC Faucet Elbow  
PVC Side Outlet Elbow  
PVC Flange

71

PVC Valve Socket  
PVC Faucet Socket  
PVC Tee

72

PVC Reducing Tee  
PVC Faucet Tee

73

PVC Barrel Union  
PVC Screwed Plug  
PVC Screwed Bush

74

PVC Telescopic Coupling  
PVC Repair Coupling

75

PVC EZYFIT

HOLMAN INDUSTRIES OFFERS A COMPREHENSIVE RANGE OF APPROVED FITTINGS MANUFACTURED TO AS/NZS 1477 STANDARD.



## VALVE TAKE OFF ADAPTOR (CAT NO 2)

CODE	DESCRIPTION	BAG	BOX
PVVA1515	15mm x 1/2" Male	25	1400
PVVA2020	20mm x 3/4" Male	25	1000
PVVA2525	25mm x 1" Male	25	600
PVVA3232	32mm x 1 1/4" Male	50	400
PVVA4040	40mm x 1 1/2" Male	25	300
PVVA5050	50mm x 2" Male	10	200
PVVA8080	80mm x 3" Male	-	60



PVVA2020

## FAUCET TAKE OFF ADAPTOR (CAT NO 3)

CODE	DESCRIPTION	BAG	BOX
PVFA1515	15mm x 1/2" Female	25	1400
PVFA2015	20mm x 1/2" Female	25	1000
PVFA2020	20mm x 3/4" Female	25	1000
PVFA2520	25mm x 3/4" Female	25	600
PVFA2525	25mm x 1" Female	25	600
PVFA3232	32mm x 1 1/4" Female	25	400
PVFA4040	40mm x 1 1/2" Female	25	300
PVFA5050	50mm x 2" Female	10	200



PVFA1515

## REDUCING BUSH (CAT NO 5)

CODE	DESCRIPTION	BAG	BOX
PVB2015	20mm x 15mm	50	2500
PVB2515	25mm x 15mm	25	1600
PVB2520	25mm x 20mm	25	1600
PVB3225	32mm x 25mm	50	600
PVB4025	40mm x 25mm	20	600
PVB4032	40mm x 32mm	20	600
PVB5025	50mm x 25mm	10	300
PVB5040	50mm x 40mm	10	300
PVB6550	65mm x 50mm	-	96
PVB8050	80mm x 50mm	-	100
PVB10050	100mm x 50mm	-	60
PVB10080	100mm x 80mm	-	60
PVB150100	150mm x 100mm	-	12



PVB2520

## COUPLING (CAT NO 7)



PVCO50

CODE	DESCRIPTION	BAG	BOX
PVCO15	15mm	25	1200
PVCO20	20mm	25	800
PVCO25	25mm	25	400
PVCO32	32mm	20	300
PVCO40	40mm	20	200
PVCO50	50mm	10	100
PVCO65	65mm	-	36
PVCO80	80mm	-	42
PVCO100	100mm	-	24
PVCO125	125mm	-	18
PVCO150	150mm	-	6

## REDUCING COUPLING (CAT NO 8)



PVCO2015

CODE	DESCRIPTION	BAG	BOX
PVCO2015	20mm x 15mm	25	800
PVCO2515	25mm x 15mm	25	400
PVCO2520	25mm x 20mm	25	400
PVCO3220	32mm x 20mm	20	300
PVCO3225	32mm x 25mm	20	200
PVCO4020	40mm x 20mm	25	225
PVCO4025	40mm x 25mm	20	260
PVCO4032	40mm x 32mm	25	200
PVCO5025	50mm x 25mm	25	200
PVCO5032	50mm x 32mm	10	200
PVCO5040	50mm x 40mm	25	175
PVCO6550	65mm x 50mm	-	54
PVCO8050	80mm x 50mm	-	76
PVCO8065	80mm x 65mm	-	45
PVCO10050	100mm x 50mm	-	33
PVCO10080	100mm x 80mm	-	33
PVCO150100	150mm x 100mm	-	10

## SPRINKLER ADAPTOR



PVA2012

CODE	DESCRIPTION	BAG	BOX
PVA2012	20mm x 1/2"	25	800
PVA2512	25mm x 1/2"	25	500

## CAP (CAT NO 6)

CODE	DESCRIPTION	BAG	BOX
PVC15	15mm	25	2100
PVC20	20mm	25	1200
PVC25	25mm	25	1000
PVC32	32mm	20	460
PVC40	40mm	25	300
PVC50	50mm	10	200
PVC65	65mm	-	112
PVC80	80mm	-	77
PVC100	100mm	-	36
PVC125	125mm	-	12
PVC150	150mm	-	13



PVC20

## 45° ELBOW (CAT NO 10)

CODE	DESCRIPTION	BAG	BOX
PVE4515	15mm	25	1000
PVE4520	20mm	25	600
PVE4525	25mm	25	400
PVE4532	32mm	20	200
PVE4540	40mm	20	140
PVE4550	50mm	10	80
PVE4565	65mm	-	22
PVE4580	80mm	-	20
PVE45100	100mm	-	10
PVE45125	125mm	-	16
PVE45150	150mm	-	4



PVE4515

## 90° ELBOW (CAT NO 13)

CODE	DESCRIPTION	BAG	BOX
PVE15	15mm	25	900
PVE20	20mm	25	500
PVE25	25mm	25	250
PVE32	32mm	20	160
PVE40	40mm	20	120
PVE50	50mm	10	70
PVE65	65mm	-	26
PVE80	80mm	-	20
PVE100	100mm	-	16
PVE125	125mm	-	16
PVE150	150mm	-	4



PVE20

## 90° FAUCET ELBOW (CAT NO 15)



PVE1515F

CODE	DESCRIPTION	BAG	BOX
PVE1515F	15mm x 1/2"	25	800
PVE2015F	20mm x 1/2"	25	500
PVE2020F	20mm x 3/4"	25	500
PVE2515F	25mm x 1/2"	25	250
PVE2520F	25mm x 3/4"	25	250
PVE2525F	25mm x 1"	25	250



PVSE2515F

## SIDE OUTLET ELBOWS

CODE	DESCRIPTION	BAG	BOX
PVSE2015F	20mm x 1/2"	25	500
PVSE2515F	25mm x 1/2"	25	250



PVF80

## SOCKET FLANGE (CAT NO 16)

CODE	DESCRIPTION	BAG	BOX
PVF50	50mm	-	48
PVF80	80mm	-	24
PVF100	100mm	-	20
PVF150	150mm	-	6



PVFS80

## VANSTONE FLANGE

CODE	DESCRIPTION	BAG	BOX
PVFS50	50mm	-	45
PVFS80	80mm	-	24
PVFS100	100mm	-	20
PVFS150	150mm	-	6
PVFS155	155MM	-	6

## VALVE SOCKET (CAT NO 17)

CODE	DESCRIPTION	BAG	BOX
PVVS15M	15mm x 1/2"	25	1400
PVVS20M	20mm x 3/4"	25	1000
PVVS25M	25mm x 1"	25	600
PVVS32M	32mm x 1 1/4"	20	400
PVVS40M	40mm x 1 1/2"	20	300
PVVS50M	50mm x 2"	10	200
PVVS65M	65mm x 2 1/2"	-	100
PVVS80M	80mm x 3"	-	68
PVVS100M	100mm x 4"	-	36
PVVS150M	150mm x 6"	-	16



PVVS15M

## FAUCET SOCKET (CAT NO 18)

CODE	DESCRIPTION	BAG	BOX
PVFS15	15mm x 1/2"	25	1200
PVFS20	20mm x 3/4"	25	800
PVFS25	25mm x 1"	25	400
PVFS32	32mm x 1 1/4"	25	300
PVFS40	40mm x 1 1/2"	20	200
PVFS50	50mm x 2"	10	100
PVFS80	80mm x 3"	-	24
PVFS100	100mm x 4"	-	24
PVFS150	150mm x 6"	-	12



PVFS100

## TEE (CAT NO 19)

CODE	DESCRIPTION	BAG	BOX
PVT15	15mm	25	450
PVT20	20mm	25	400
PVT25	25mm	25	200
PVT32	32mm	10	90
PVT40	40mm	10	80
PVT50	50mm	6	60
PVT65	65mm	-	20
PVT80	80mm	-	15
PVT100	100mm	-	9
PVT125	125mm	-	7
PVT150	150mm	-	3



PVT15

## REDUCING TEE (CAT NO 19)



PVT2015

CODE	DESCRIPTION	BAG	BOX
PVT2015	20mm x 15mm	20	400
PVT2520	25mm x 20mm	25	200
PVT3225	32mm x 25mm	10	90
PVT4020	40mm x 20mm	10	80
PVT4025	40mm x 25mm	10	80
PVT4032	40mm x 32mm	10	80
PVT5020	50mm x 20mm	6	60
PVT5025	50mm x 25mm	6	60
PVT5040	50mm x 40mm	6	60
PVT6550	65mm x 50mm	-	30
PVT8025	80mm x 25mm	-	23
PVT8040	80mm x 40mm	-	20
PVT8050	80mm x 50mm	-	18
PVT10050	100mm x 50mm	-	10
PVT10080	100mm x 80mm	-	9
PVT150100	150mm x 100mm	-	4

## FAUCET TEE (CAT NO 21)



PVT1515F

CODE	DESCRIPTION	BAG	BOX
PVT1515F	15mm x 1/2"	25	450
PVT2015F	20mm x 1/2"	25	400
PVT2020F	20mm x 3/4"	25	400
PVT2515F	25mm x 1/2"	25	200
PVT2520F	25mm x 3/4"	25	200
PVT2525F	25mm x 1"	25	200
PVT3215F	32mm x 1/2"	10	90
PVT4015F	40mm x 1/2"	10	80
PVT4020F	40mm x 3/4"	10	80
PVT4025F	40mm x 1"	10	80
PVT5015F	50mm x 1/2"	6	60
PVT5020F	50mm x 3/4"	6	60
PVT5025F	50mm x 1"	6	60



## BARREL UNION (CAT NO 22)

CODE	DESCRIPTION	BAG	BOX
PVU15	15mm	25	200
PVU20	20mm	25	200
PVU25	25mm	25	100
PVU32	32mm	10	80
PVU40	40mm	10	80
PVU50	50mm	6	48
PVU80	80mm	-	12
PVU100	100mm	-	4



PVU20

## SCREWED PLUGS (CAT NO 23)

CODE	DESCRIPTION	BAG	BOX
PVSP15	15mm	25	2100
PVSP20	20mm	25	1200
PVSP25	25mm	25	1000



PVSP20

## REPAIR COUPLINGS - COMPRESSION (CAT NO 30)

CODE	DESCRIPTION	BAG	BOX
PVRC15	15mm	10	160
PVRC20	20mm	10	100
PVRC25	25mm	10	100
PVRC32	32mm	6	60
PVRC40	40mm	6	48
PVRC50	50mm	4	32
PVRC80	80mm	3	12
PVRC100	100mm	3	6



PVRC15

## REPAIR COUPLING-TELESCOPIC



PVRT15

CODE	DESCRIPTION	BAG	BOX
PVRT15	15mm	-	90
PVRT20	20mm	-	60
PVRT25	25mm	-	40
PVRT32	32mm	-	30
PVRT40	40mm	-	20
PVRT50	50mm	-	16
PVRT80	80mm	-	3
PVRT100	100mm	-	2

## REPAIR COUPLINGS - COMPRESSION (CAT NO 30)



PVRC15

CODE	DESCRIPTION	BAG	BOX
PVRC15	15mm	10	160
PVRC20	20mm	10	100
PVRC25	25mm	10	100
PVRC32	32mm	6	60
PVRC40	40mm	6	48
PVRC50	50mm	4	32
PVRC80	80mm	3	12
PVRC100	100mm	3	6

## EZYFIT FITTINGS

Suitable for all pressure applications, or use to create your own PVC Project. Manufactured to AS/NZS 1477 Standard.

CODE	DESCRIPTION	BAG	BOX
PVJ153	15mm 3 Way Joint	-	40
PVJ203	20mm 3 Way Joint	-	30
PVJ253	25mm 3 Way Joint	-	30
PVJ323	32mm 3 Way Joint	-	15
PVJ403	40mm 3 Way Joint	-	10
PVJ154	15mm 4 Way Joint	-	50
PVJ204	20mm 4 Way Joint	-	40
PVJ254	25mm 4 Way Joint	-	20
PVJ324	32mm 4 Way Joint	-	10
PVJ404	40mm 4 Way Joint	-	10
PVJ155	15mm 5 Way Joint	-	50
PVJ205	20mm 5 Way Joint	-	25
PVJ255	25mm 5 Way Joint	-	18
PVJ325	32mm 5 Way Joint	-	8
PVJ405	40mm 5 Way Joint	-	8
PVJC154	15mm 4 Way Cross	-	50
PVJC204	20mm 4 Way Cross	-	30
PVJC254	25mm 4 Way Cross	-	25
PVJC324	32mm 4 Way Cross	-	12
PVJC404	40mm 4 Way Cross	-	10
PVSC1550	PVC Snap Clamp 15x50mm	-	200
PVSC2050	PVC Snap Clamp 20x50mm	-	150
PVSC2550	PVC Snap Clamp 25x50mm	-	100
PVSC3250	PVC Snap Clamp 32x50mm	-	60
PVSC4050	PVC Snap Clamp 40x50mm	-	50



PVJ153



PVJ154



PVJ155



PVJC154



PVSC1550

# PVC Valves

VALVES MADE TO AUSTRALIAN AND NEW ZEALAND STANDARDS

---

77

PVC Ball Valves  
PVC In-Line Spring Check



## PVC BALL VALVES (SOLVENT WELD)

Usage: Used in water pumping for residential, industrial and agricultural applications.

CODE	DESCRIPTION	BAG	BOX
VBS15	15mm Solvent	10	50
VBS20	20mm Solvent	10	50
VBS25	25mm Solvent	10	50
VBS32	32mm Solvent	5	20
VBS40	40mm Solvent	5	20
VBS50	50mm Solvent	5	20

ALL VALVES FACTORY TESTED TO 1724KPA. RECOMMENDED OPERATION PRESSURE 1350KPA.



VBS15

## PVC BALL VALVES (BSP)

Usage: Used in water pumping for residential, industrial and agricultural applications.

CODE	DESCRIPTION	BAG	BOX
VBT15	15mm Female Iron Thread	10	50
VBT20	20mm Female Iron Thread	10	50
VBT25	25mm Female Iron Thread	10	50
VBT32	32mm Female Iron Thread	5	20
VBT40	40mm Female Iron Thread	5	20
VBT50	50mm Female Iron Thread	5	20
VBT80	80mm Female Iron Thread	-	10
VBT100	100mm Female Iron Thread	-	6

ALL VALVES FACTORY TESTED TO 1724KPA. RECOMMENDED OPERATION PRESSURE 1350KPA.



VBT25



VBT80

## PVC IN-LINE SPRING CHECK VALVES (BSP)

Prevent backflow. Applications: Swimming pools, spas, pumping systems, agriculture & irrigation only.

CODE	DESCRIPTION	BAG	BOX
VCT20	20mm FI Thread	10	200
VCT25	25mm FI Thread	8	100
VCT40	40mm FI Thread	6	24
VCT50	50mm FI Thread	4	24



VCT25

# Poly Compression Fittings

POLY COMPRESSION FITTINGS MADE TO AUSTRALIAN AND NEW ZEALAND STANDARDS

79

Poly Male Adaptor  
Poly Coupling

80

Poly Coupling (continued)  
Poly Female Tee  
Poly Tee

81

Poly Female Adaptor  
Poly End Plug

82

Poly Reducing Coupling  
Poly Repair Coupling  
Poly Elbow

83

Poly Male Elbow  
Poly Female Elbow

84

Poly Wall Elbow  
Poly Male Tee  
Poly Reducing Tee

85

Poly Pipe Clip  
Poly Wrench Accessory  
Poly Tapping Saddle 2 Bolt - O Ring

86

Poly Tapping Saddle 4 Bolt - O Ring  
Poly Tapping Saddle - Flat Seal

87

Poly Union Valve  
Poly Tapping Saddle Stainless Steel - O Ring

88

Poly Union Valve  
Poly To Metric Rural Kit  
Poly To Copper Kit

89

Poly To Copper Coupling  
Poly To Copper Tee  
Poly To Copper Elbow

HOLMAN INDUSTRIES OFFERS A COMPREHENSIVE RANGE OF WATERMARK APPROVED FITTINGS MANUFACTURED TO AS/NZS 4129 STANDARD.



## POLY MALE ADAPTOR

Fittings between Ø 16 up to Ø 110mm - Operating Pressure = PN16 (16 bar at 20° C) applications.

CODE	DESCRIPTION	BAG	BOX
PMMA1615	16mm x ½	25	750
PMMA1620	16mm x ¾	25	750
PMMA2015	20mm x ½	25	500
PMMA2020	20mm x ¾	25	500
PMMA2025	20mm x 1	25	450
PMMA2515	25mm x ½	20	360
PMMA2520	25mm x ¾	20	320
PMMA2525	25mm x 1	20	320
PMMA3215	32mm x ½	10	180
PMMA3220	32mm x ¾	10	180
PMMA3225	32mm x 1	10	180
PMMA3232	32mm x 1¼	10	180
PMMA3240	32mm x 1½	10	150
PMMA4025	40mm x 1	-	100
PMMA4032	40mm x 1¼	-	100
PMMA4040	40mm x 1½	-	100
PMMA4050	40mm x 2	-	100
PMMA5025	50mm x 1	-	80
PMMA5032	50mm x 1¼	-	80
PMMA5040	50mm x 1½	-	80
PMMA5050	50mm x 2	-	70
PMMA6340	63mm x 1½	-	45
PMMA6350	63mm x 2	-	45
PMMA6365	63mm x 2½	-	40
PMMA7550	75mm x 2	-	26
PMMA7580	75mm x 3	-	26
PMMA9050	90mm x 2	-	16
PMMA9080	90mm x 3	-	16
PMMA11080	100mm x 3	-	8
PMMA110100	110mm x 4	-	8



PMMA1615

## POLY COUPLING

Fittings between Ø 16 up to Ø 110mm - Operating Pressure = PN16 (16 bar at 20° C) applications.

CODE	DESCRIPTION	BAG	BOX
PMCO1616	16mm	25	525
PMCO2020	20mm	15	315
PMCO2525	25mm	15	225
PMCO3232	32mm	10	120



PMCO1616

## POLY COUPLING CONTINUED



PMCO1616

CODE	DESCRIPTION	BAG	BOX
PMCO4040	40mm	-	72
PMCO5050	50mm	-	44
PMCO6363	63mm	-	30
PMCO75	75mm	-	16
PMCO9090	90mm	-	10
PMCO110110	110mm	-	5

## POLY FEMALE TEE

Fittings between Ø 16 up to Ø 110mm - Operating Pressure = PN16 (16 bar at 20° C) applications.



PMFT1615

CODE	DESCRIPTION	BAG	BOX
PMFT1615	16mm x ½	20	320
PMFT1620	16mm x ¾	20	320
PMFT2015	20mm x ½	15	225
PMFT2020	20mm x ¾	15	225
PMFT2515	25mm x ½	10	160
PMFT2520	25mm x ¾	10	160
PMFT2525	25mm x 1	10	160
PMFT3220	32mm x ¾	10	100
PMFT3225	32mm x 1	10	100
PMFT4032	40mm x 1¼	-	45
PMFT4040	40mm x 1½	-	45
PMFT5040	50mm x 1½	-	30
PMFT5050	50mm x 2	-	30
PMFT6350	63mm x 2	-	18
PMFT9080	90mm x 3	-	7
PMFT110100	110mm x 4	-	4

## POLY TEE

Fittings between Ø 16 up to Ø 110mm - Operating Pressure = PN16 (16 bar at 20° C) applications.



PMT16

CODE	DESCRIPTION	BAG	BOX
PMT16	16mm	20	260
PMT20	20mm	15	150
PMT25	25mm	10	110
PMT32	32mm	-	70
PMT40	40mm	-	40
PMT50	50mm	-	25
PMT63	63mm	-	16
PMT75	75mm	-	8
PMT90	90mm	-	5
PMT110	110mm	-	2



## POLY FEMALE ADAPTOR

Fittings between Ø 16 up to Ø 110mm - Operating Pressure = PN16 (16 bar at 20° C) applications.

CODE	DESCRIPTION	BAG	BOX
PMFA1615	16mm x ½	25	750
PMFA1620	16mm x ¾	25	750
PMFA2015	20mm x ½	25	500
PMFA2020	20mm x ¾	25	500
PMFA2515	25mm x ½	20	360
PMFA2520	25mm x ¾	20	360
PMFA2525	25mm x 1	20	340
PMFA3215	32mm x ½	10	220
PMFA3220	32mm x ¾	10	220
PMFA3225	32mm x 1	10	220
PMFA3232	32mm x 1¼	10	150
PMFA4025	40mm x 1	-	100
PMFA4032	40mm x 1¼	-	100
PMFA4040	40mm x 1½	-	100
PMFA5032	50mm x 1¼	-	65
PMFA5040	50mm x 1½	-	65
PMFA5050	50mm x 2	-	65
PMFA6340	63mm x 1½	-	45
PMFA6350	63mm x 2	-	45
PMFA7550	75mm x 2	-	26
PMFA9080	90mm x 3	-	16
PMFA110100	110mm x 4	-	8



PMFA1615

## POLY END PLUG

Fittings between Ø 16 up to Ø 110mm - Operating Pressure = PN16 (16 bar at 20° C) applications.

CODE	DESCRIPTION	BAG	BOX
PMEP16	16mm	25	900
PMEP20	20mm	20	500
PMEP25	25mm	20	340
PMEP32	32mm	10	220
PMEP40	40mm	-	125
PMEP50	50mm	-	80
PMEP63	63mm	-	45
PMEP75	75mm	1	26
PMEP90	90mm	-	16
PMEP110	110mm	-	10



PMEP16

## POLY REDUCING COUPLING

Fittings between Ø 16 up to Ø 110mm - Operating Pressure = PN16 (16 bar at 20° C) applications.



PMCO2016

CODE	DESCRIPTION	BAG	BOX
PMCO2016	20mm x 16mm	20	360
PMCO2516	25mm x 16mm	20	300
PMCO2520	25mm x 20mm	15	255
PMCO3220	32mm x 20mm	10	180
PMCO3225	32mm x 25mm	10	150
PMCO4025	40mm x 25mm	1	100
PMCO4032	40mm x 32mm	1	85
PMCO5032	50mm x 32mm	1	60
PMCO5040	50mm x 40mm	1	60
PMCO6332	63mm x 32mm	1	40
PMCO6350	63mm x 50mm	1	30
PMCO7563	75mm x 63mm	1	18
PMCO9063	90mm x 63mm	1	12
PMCO11090	110mm x 90mm	1	8

## POLY REPAIR COUPLING

Fittings between Ø 16 up to Ø 110mm - Operating Pressure = PN16 (16 bar at 20° C) applications.



PMRC25

CODE	DESCRIPTION	BAG	BOX
PMRC25	25mm	-	160
PMRC32	32mm	-	100
PMRC40	40mm	-	60
PMRC50	50mm	-	35
PMRC63	63mm	-	20

## POLY ELBOW

Fittings between Ø 16 up to Ø 110mm - Operating Pressure = PN16 (16 bar at 20° C) applications.



PME16

CODE	DESCRIPTION	BAG	BOX
PME16	16mm	25	450
PME20	20mm	20	240
PME25	25mm	15	195
PME32	32mm	-	100
PME40	40mm	-	60
PME50	50mm	-	36
PME63	63mm	-	24
PME90	90mm	-	8
PME110	110mm	-	4

## POLY MALE ELBOW

Fittings between Ø 16 up to Ø 110mm - Operating Pressure = PN16 (16 bar at 20° C) applications.

CODE	DESCRIPTION	BAG	BOX
PMME2015	20mm x ½	25	425
PMME2020	20mm x ¾	25	425
PMME2515	25mm x ½	20	360
PMME2520	25mm x ¾	20	320
PMME2525	25mm x 1	20	300
PMME3220	32mm x ¾	10	180
PMME3225	32mm x 1	10	180
PMME4032	40mm x 1¼	-	90
PMME4040	40mm x 1½	-	90
PMME5040	50mm x 1½	-	60
PMME5050	50mm x 2	-	60
PMME6350	63mm x 2	-	30
PMME9080	90mm x 3	-	10
PMME110100	110mm x 4	-	6



PMME2015

## POLY FEMALE ELBOW

Fittings between Ø 16 up to Ø 110mm - Operating Pressure = PN16 (16 bar at 20° C) applications.

CODE	DESCRIPTION	BAG	BOX
PMFE2015	20mm x ½	25	375
PMFE2020	20mm x ¾	25	375
PMFE2515	25mm x ½	20	260
PMFE2520	25mm x ¾	20	260
PMFE2525	25mm x 1	20	260
PMFE3220	32mm x ¾	10	180
PMFE3225	32mm x 1	10	180
PMFE4032	40mm x 1¼	-	75
PMFE4040	40mm x 1½	-	75
PMFE5040	50mm x 1½	-	55
PMFE5050	50mm x 2	-	55
PMFE6350	63mm x 2	-	30
PMFE7565	75mm x 2½	-	15
PMFE9080	90mm x 3	-	10
PMFE110100	110mm x 4	-	6



PMFE2015

# POLY COMPRESSION FITTINGS

## POLY WALL FEMALE ELBOW

Fittings between Ø 16 up to Ø 110mm - Operating Pressure = PN16 (16 bar at 20° C) applications.



PMWE2015

CODE	DESCRIPTION	BAG	BOX
PMWE2015	20mm x ½	10	240
PMWE2520	25mm x ¾	10	140

## POLY MALE TEE

Fittings between Ø 16 up to Ø 110mm - Operating Pressure = PN16 (16 bar at 20° C) applications.



PMMT2015

CODE	DESCRIPTION	BAG	BOX
PMMT2015	20mm x ½	15	180
PMMT2020	20mm x ¾	15	180
PMMT2515	25mm x ½	15	150
PMMT2520	25mm x ¾	15	150
PMMT2525	25mm x 1	10	160
PMMT3220	32mm x ¾	-	100
PMMT3225	32mm x 1	-	85
PMMT4025	40mm x 1	-	50
PMMT4032	40mm x 1¼	-	50
PMMT4040	40mm x 1½	-	50
PMMT5040	50mm x 1½	-	30
PMMT5050	50mm x 2	-	30
PMMT6350	63mm x 2	-	20

## POLY REDUCING TEE

Fittings between Ø 16 up to Ø 110mm - Operating Pressure = PN16 (16 bar at 20° C) applications.



PMRT2016

CODE	DESCRIPTION	BAG	BOX
PMRT2016	20mm x 16mm	10	160
PMRT2520	25mm x 20mm	10	120
PMRT3225	32mm x 25mm	-	80
PMRT4032	40mm x 32mm	-	40
PMRT5040	50mm x 40mm	-	25
PMRT6332	63mm x 32mm	-	18
PMRT6350	63mm x 50mm	-	16
PMRT7563	75mm x 63mm	-	8
PMRT11090	110mm x 90mm	-	2

## POLY PIPE CLIP

CODE	DESCRIPTION	BAG	BOX
PMPC16	16mm	10	1000
PMPC20	20mm	10	800
PMPC25	25mm	10	600
PMPC32	32mm	10	500
PMPC40	40mm	10	700
PMPC50	50mm	10	400
PMPC63	63mm	10	270
PMPC75	75mm	10	240
PMPC90	90mm	10	120
PMPC110	110mm	10	120



PMPC110

## POLY WRENCH ACCESSORY

CODE	DESCRIPTION	BOX
PMWRENCH	Aluminium Cap Wrench	-



PMWRENCH

## POLY TAPPING SADDLE - 2 BOLT W/ O' RING SEAL

Fittings between Ø 16 up to Ø 110mm - Operating Pressure = PN16 (16 bar at 20° C) applications.

CODE	DESCRIPTION	BOX
PMS2B3215	32mm x ½	270
PMS2B3220	32mm x ¾	270
PMS2B4020	40mm x ¾	180
PMS2B4025	40mm x 1	150
PMS2B5015	50mm x ½	120
PMS2B5025	50mm x 1	100
PMS2B6315	63mm x ½	80
PMS2B6320	63mm x ¾	80
PMS2B6325	63mm x 1	80



# POLY COMPRESSION FITTINGS

## POLY TAPPING SADDLE - 4 BOLT W/ O' RING SEAL

Fittings between Ø 16 up to Ø 110mm - Operating Pressure = PN16 (16 bar at 20° C) applications.



PMS4B5025

CODE	DESCRIPTION	BAG	BOX
PMS4B5025	50mm x 1	10	100
PMS4B6315	63mm x 1/2	10	80
PMS4B9015	90mm x 1/2	10	40
PMS4B9020	90mm x 3/4	10	40
PMS4B9025	90mm x 1	-	40
PMS4B9050	90mm x 2	-	35
PMS4B11015	110mm x 1/2	-	30
PMS4B11020	110mm x 3/4	-	30
PMS4B11025	110mm x 1	-	30
PMS4B11032	110mm x 1 1/4	-	30
PMS4B11040	110mm x 1 1/2	-	30
PMS4B11050	110mm x 2	-	25
PMS4B11080	110mm x 3	-	24



PMS2BSSFS5025

## POLY TAPPING SADDLE - FLAT SEAL STAINLESS STEEL

Fittings between Ø 16 up to Ø 110mm - Operating Pressure = PN16 (16 bar at 20° C) applications.

CODE	DESCRIPTION	BOX
PMS2BSSFS5025	2 Bolt S/S 50mm x 1	100
PMS4BSSFS6325	4 Bolt S/S 63mm x 1	40

## POLY TAPPING SADDLE S/S BOLT O-RING SEAL STAINLESS STEEL

Fittings between Ø 20 up to Ø 110mm (Exceptions: 12.5 bar for threads 1 ¼" and above)  
Operating Pressure = PN16 (16 bar at 20° C).

Fittings between Ø 125 up to Ø 315mm Operating Pressure = PN6 (6 bar at 20° C).

CODE	DESCRIPTION	BOX
PMS2BSSOR3215	2 Bolt 32mm x ½	270
PMS2BSSOR3220	2 Bolt 32mm x ¼	270
PMS2BSSOR4015	2 Bolt 40mm x ½	180
PMS2BSSOR4020	2 Bolt 40mm x ¾	140
PMS2BSSOR4025	2 Bolt 40mm x 1	150
PMS2BSSOR5025	2 Bolt 50mm x 1	100
PMS4BSSOR5020	4 Bolt 50mm x ¾	100
PMS4BSSOR5025	4 Bolt 50mm x 1	100
PMS4BSSOR5032	4 Bolt 50mm x 1¼	100
PMS4BSSOR6325	4 Bolt 63mm x 1	40
PMS4BSSOR6340	4 Bolt 63mm x 1½	40
PMS4BSSOR7525	4 Bolt 75mm x 1	65
PMS4BSSOR7532	4 Bolt 75mm x 1¼	60
PMS4BSSOR7540	4 Bolt 75mm x 1½	60
PMS4BSSOR7550	4 Bolt 75mm x 2	65
PMS4BSSOR9025	4 Bolt 90mm x 1	40
PMS4BSSOR9032	4 Bolt 90mm x 1¼	45
PMS4BSSOR9040	4 Bolt 90mm x 1½	45
PMS4BSSOR9050	4 Bolt 90mm x 2	45
PMS4BSSOR12525	4 Bolt 125mm x 1	30
PMS4BSSOR12550	4 Bolt 125mm x 2	30
PMS6BSSOR16050	6 Bolt 160mm x 2	24



PMS2BSSOR5025

## POLY SINGLE UNION VALVE

Fittings between Ø 16 up to Ø 110mm - Operating Pressure = PN16 (16 bar at 20° C) applications.

CODE	DESCRIPTION	BOX
PVSUF2520	25mm x ¾	50
PVSUF3225	32mm x 1	50



PVSUF2520

# POLY COMPRESSION FITTINGS

## POLY DOUBLE UNION VALVE

Fittings between Ø 16 up to Ø 110mm - Operating Pressure = PN16 (16 bar at 20° C) applications.



PVDU20

CODE	DESCRIPTION	BOX
PVDU20	20mm	60
PVDU25	25mm	40
PVDU32	32mm	40
PVDU40	40mm	16
PVDU50	50mm	15
PVDU63	63mm	8
PVDU75	75mm	6
PVDU90	90mm	4

## POLY METRIC TO RURAL KIT

Fittings between Ø 16 up to Ø 110mm - Operating Pressure = PN16 (16 bar at 20° C) applications.



PMRK20

CODE	DESCRIPTION	BAG	BOX
PMRK20	20mm x ¼"	-	250
PMRK25	25mm x 1"	-	125
PMRK32	32mm x 1-1/4"	-	250
PMRK40	40mm x 1-1/2"	-	125
PMRK50	50mm x 2"	-	85

## POLY TO COPPER KIT

Fittings between Ø 16 up to Ø 110mm - Operating Pressure = PN16 (16 bar at 20° C) applications.



PMCK2520

CODE	DESCRIPTION	BAG	BOX
PMCK2520	25mm x ¼"	-	200



## POLY TO COPPER COUPLING

Fittings between Ø 16 up to Ø 110mm - Operating Pressure = PN16 (16 bar at 20° C) applications.

CODE	DESCRIPTION	BAG	BOX
PMCO2015C	20mm x 1/2	-	150
PMCO2020C	20mm x 3/4	-	120
PMCO2515C	25mm x 1/2	-	100
PMCO2520C	25mm x 3/4	-	100
PMCO3220C	32mm x 3/4	-	70



PMCO2520C

## POLY TO COPPER TEE

Fittings between Ø 16 up to Ø 110mm - Operating Pressure = PN16 (16 bar at 20° C) applications.

CODE	DESCRIPTION	BAG	BOX
PMRT2520C	25mm x 3/4	-	60



PMRT2520C

## POLY TO COPPER ELBOW

Fittings between Ø 16 up to Ø 110mm - Operating Pressure = PN16 (16 bar at 20° C) applications.

CODE	DESCRIPTION	BAG	BOX
PME2520C	25mm x 3/4	-	100



PME2520C

# Poly Threaded Fittings

POLY THREADED FITTINGS MADE TO AUSTRALIAN AND NEW ZEALAND STANDARDS

---

91

Poly Socket  
Poly Reducing Bush  
Poly Nipple  
Poly Plug

92

Poly Cap  
Poly Female Elbow  
Poly Reducing Socket

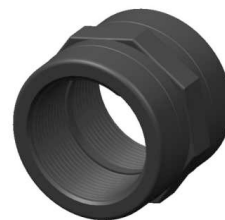
93

Poly Reducing Nipple  
Poly Male/ Female Elbow  
Poly Female Tee

---

## POLY SOCKET

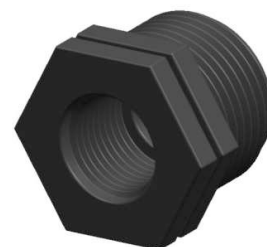
CODE	DESCRIPTION	BAG	BOX
PTS15	15mm	10	600
PTS20	20mm	10	500
PTS25	25mm	10	300
PTS32	32mm	10	200
PTS40	40mm	10	130
PTS50	50mm	5	100



PTS15

## POLY REDUCING BUSH

CODE	DESCRIPTION	BAG	BOX
PTRB2015	20mm x 15mm	10	1000
PTRB2515	25mm x 15mm	10	620
PTRB2520	25mm x 20mm	10	600
PTRB3220	32mm x 20mm	10	400
PTRB3225	32mm x 25mm	10	400
PTRB4020	40mm x 20mm	10	300
PTRB4025	40mm x 25mm	10	300
PTRB4032	40mm x 32mm	10	300
PTRB5020	50mm x 20mm	5	180
PTRB5025	50mm x 25mm	5	180
PTRB5032	50mm x 32mm	5	180
PTRB5040	50mm x 40mm	5	180



PTRB2015

## POLY NIPPLE

CODE	DESCRIPTION	BAG	BOX
PTN15	15mm	10	1400
PTN20	20mm	10	750
PTN25	25mm	10	400
PTN32	32mm	10	250
PTN40	40mm	10	200
PTN50	50mm	5	220



PTN15

## POLY PLUG

CODE	DESCRIPTION	BAG	BOX
PTP15	15mm	10	2000
PTP20	20mm	10	1000
PTP25	25mm	10	600
PTP32	32mm	10	800
PTP40	40mm	10	300
PTP50	50mm	5	170



PTP15

# POLY THREADED FITTINGS



PTC15

## POLY CAP

CODE	DESCRIPTION	BAG	BOX
PTC15	15mm	10	1000
PTC20	20mm	10	600
PTC25	25mm	10	400
PTC32	32mm	10	260
PTC40	40mm	10	180
PTC50	50mm	5	100



PTFE15

## POLY FEMALE ELBOW

CODE	DESCRIPTION	BAG	BOX
PTFE15	15mm	10	500
PTFE20	20mm	10	350
PTFE25	25mm	10	200
PTFE32	32mm	10	100
PTFE40	40mm	10	90
PTFE50	50mm	5	45



PTRS2015

## POLY REDUCING SOCKET

CODE	DESCRIPTION	BAG	BOX
PTRS2015	20mm x 15mm	10	500
PTRS2515	25mm x 15mm	10	300
PTRS2520	25mm x 20mm	10	300
PTRS3220	32mm x 20mm	10	220
PTRS3225	32mm x 25mm	10	200
PTRS4020	40mm x 20mm	5	150
PTRS4025	40mm x 25mm	5	150
PTRS4032	40mm x 32mm	5	150
PTRS5020	50mm x 20mm	5	100
PTRS5025	50mm x 25mm	5	100
PTRS5032	50mm x 32mm	5	100
PTRS5040	50mm x 40mm	5	100

## POLY REDUCING NIPPLE

CODE	DESCRIPTION	BAG	BOX
PTRN2015	20mm x 15mm	10	750
PTRN2515	25mm x 15mm	10	500
PTRN2520	25mm x 20mm	10	400
PTRN3220	32mm x 20mm	10	300
PTRN3225	32mm x 25mm	10	250
PTRN4025	40mm x 25mm	5	225
PTRN4032	40mm x 32mm	5	200
PTRN5025	50mm x 25mm	5	250
PTRN5032	50mm x 32mm	5	250
PTRN5040	50mm x 40mm	5	250



PTRN2015

## POLY MALE/FEMALE ELBOW

CODE	DESCRIPTION	BAG	BOX
PTMFE15	15mm	10	500
PTMFE20	20mm	10	400
PTMFE25	25mm	10	350
PTMFE32	32mm	10	250
PTMFE40	40mm	10	180



PTMFE15

## POLY FEMALE TEE

CODE	DESCRIPTION	BAG	BOX
PTFT15	15mm	10	300
PTFT20	20mm	10	250
PTFT25	25mm	10	120
PTFT32	32mm	5	80
PTFT40	40mm	5	50
PTFT50	50mm	5	50



PTFT15

# Special Fabricated Fittings

DRAINWATER, STORMWATER AND HDPE

---

95

DPA Bend  
HEAVY DUTY Flange  
HDPE Disc  
Custom Fittings

96

HDPE Flanged Valve  
Custom PVC to HPDE Tapping Saddle  
Custom Reflux Valve  
Flap Valve  
Custom STORM Manifold

Specialist Fabrication provides customised plumbing fittings to the customers required needs. We offer technical advice and product design, from shop drawings to CAD technical drawings to ensure a correct and cost-effective result. All Special Fabrication and design are done in-house to provide quick lead times and reliable customer service.



SPECIAL PE FITTING TO FLANGE



SPECIAL FLANGE TO PE ELBOW



HDPE POLLUTION TRAP



HDPE POOL PIPEWORK TANK



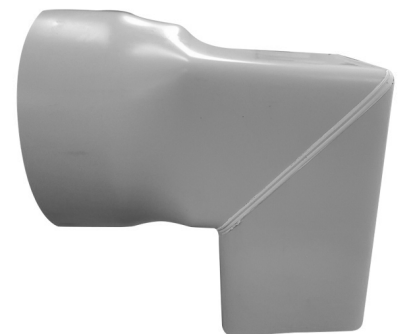
88° ROUND TO ROUND DPA BEND



HDPE SYPHONIC SILENCING DISC



HEAVY DUTY 375 RRJ FLANGE



88° RECTANGLE TO ROUND DPA BEND

# SPECIAL FABRICATED FITTINGS



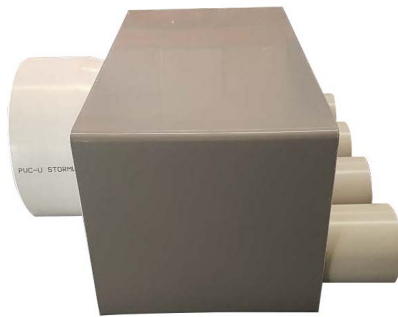
CUSTOM PVC TO HDPE STUB FLANGE TAPPING SADDLE



ENVIROPIPE FLAP VALVE



HDPE FLANGED HEADWALL FLAP VALVE



CUSTOM STORMWATER MANIFOLD VALVE



CUSTOM FIBREGLASS FLANGED LIT



CUSTOM 225 VENT COWL CHINA HAT STYLE



150° CUSTOM DPA WITH BUILT IN FLAP VALVE



# Terms & Conditions of Sale

## 1. DEFINITIONS

Where herein used the word "Holman" means Bookleaf Pty Ltd as trustee for the Eden Unit Trust trading as Holman Industries (Supplier) and the word "Purchaser" means the person, Corporation, Trustee, Partnership or Sole trader whose name and address appears on such documents (e.g. invoices) to which these terms and conditions of sale are expressly related.

## 2. TERMS

Payments for all goods are to be strictly made net thirty (30) days unless the Supplier has made an agreement with the Purchaser in writing to alter the payment terms. The Supplier at its absolute discretion can alter the terms of trade. The Purchaser will have fourteen (14) days to agree to the altered terms of trade from receipt of the written notice that the variations are not agreed to. The Supplier will have the right to suspend or withdraw credit facilities. Should the Purchaser not pay for goods within the credit terms provided or as agreed with the Supplier, a three (3) per cent per month charge will be incurred for the account being outstanding beyond the Suppliers trading terms. However, this will be waived if the account is paid within ninety (90) days of the invoice date. The Supplier reserves the right to withdraw credit at any time upon the provision of forty-eight (48) hours' written notice. Upon cancellation, all liabilities incurred by the Purchaser become due and payable to the Supplier within seven (7) days.

## 3. PRICES

Prices set out and referred to in this resellers price list are recommended prices only and there is no obligation to comply with the recommendations. All prices are subject to alteration without notice.

## 4. QUOTATIONS AND TENDERS

Unless otherwise stated or agreed, quotations and/or tenders are valid for a period of thirty (30) days from the date of the issue of the quotation or tender. Placement or acceptance of an order either in writing or verbally will construe the acceptance of the Suppliers offer and the terms and conditions herewith.

## 5. DELIVERY

All metropolitan orders with a minimum order value of \$250.00 or more will be delivered FREE INTO STORE (FIS) except for orders from the Northern Territory. Metropolitan orders for less than \$250.00 will incur a freight charge of \$25.00. All regional orders with a minimum order value of \$500.00 or more (excluding palletised poly pipe) will be FIS. For orders less than the minimum order value, customers can utilise their FOB service or incur a \$25.00 freight charge, otherwise, customers must arrange their own transportation. Customer locations will be identified as either metropolitan or regional status as per the Australia Post postal code listing except for locations within the Northern Territory.

## 6. RESTOCKING CHARGE

Subject to prior agreement with Holman, any goods returned for credit must be in the original condition the goods were purchased. A restocking charge of fifteen (15%) per cent will be applied to goods sent back for credit or exchange. Any freight charges incurred by the Purchaser in returning the goods will be for the Purchaser's account unless agreed in writing to the contrary with the Supplier.

## 7. GOODS AND SERVICES TAX

All prices quoted are exclusive of GOODS AND SERVICES TAX (GST). The Purchaser must pay GST on any taxable supply made by the Supplier to the Purchaser. The GST is in addition to any consideration payable by the Purchaser to complete a taxable supply.

## 8. TITLE TO GOODS

Title to all goods sold by the Supplier to the Purchaser will only pass when payment has been received in full being for such goods. Pending the receipt of such payment the proceeds of the sale of the goods by the Purchaser shall be deemed to be held in trust by the Purchaser for the Supplier and the Supplier retains the legal and equitable right in those goods supplied but not yet sold. At all times the Supplier

shall be entitled to recover from the Purchaser the value of the goods as a liquidated sum. The Supplier has the right, with prior notice to the Purchaser, to enter upon any premises occupied by the Purchaser to inspect the goods of the Supplier and to repossess the goods which may be in the Purchaser's possession when payment is overdue.

## 9. FUTURE DEALING

Unless otherwise agreed to in writing by the Supplier and notwithstanding any terms appearing in documentation provided by or on behalf of the Purchaser the terms appearing herein shall be incorporated by implication into all agreements by the Supplier to supply the Purchaser with goods.

## 10. GENERAL

(a) The Purchaser acknowledges that the conditions of sale as set out herein comprise the entire contract between the parties. The Purchaser further acknowledges that it has not been induced to enter this contract by any representation, advice or information given or made by or on behalf of the Supplier.  
(b) These terms and conditions shall be governed by the laws of the State of Western Australia notwithstanding the place in which the goods are to be delivered. The Purchaser submits to the jurisdiction of the courts of the State of Western Australia including all courts of appeal therefrom.

## 11. MINIMUM INVOICE VALUE

A minimum invoice value of \$250.00 for metropolitan orders and \$500.00 for regional orders excluding GST applies. Orders under this amount will incur an administration charge of \$20.00 plus GST.

## 12. SHORTAGES

The Purchaser must check all invoices and advise the Supplier of any shortages, omissions, or errors in dispatch within 7 days from the date of supply. Failing any advice from the Purchaser that the invoice contains any shortages or errors, the invoice is deemed accepted by the Purchaser.

## 13. GUARANTEES

As per the Manufacturers Scope of Use and Installation Guidelines, applicable Standards and or Industry Guidelines specifications, the Company is committed to replacing all material parts found to be defective within the guarantee period and within our Warranty terms and conditions, without charge. All "Guarantee" and "Warranty" provisions are subject to proper installation, storage & handling in accordance with Industry standards, guidelines, or Company's instructions. No allowances will be made on any equipment for labour, freight, or consequential damages, only the cost of the defective products. The Supplier is not liable for loss of profit, economic or financial loss, damages, consequential loss, loss of opportunity or benefit, loss of a right or any other indirect loss suffered by the Purchaser because of the goods supplied under this agreement.

At the Suppliers discretion, the Supplier reserves the right to request comparative sampling against defective products to conduct due diligence testing as part of the Supplier's customer complaint investigation process.

## 14. OVERDUE ACCOUNTS

A three (3%) per cent interest charge per month will apply to accounts outstanding beyond our thirty (30) day trading terms.

## 15. INDEMNITY

The purchaser agrees to indemnify the Supplier against any claim that arises out of the goods and services supplied under these terms and conditions, including any legal expenses incurred in enforcing its rights on an identity basis.

## 16. INSOLVENCY

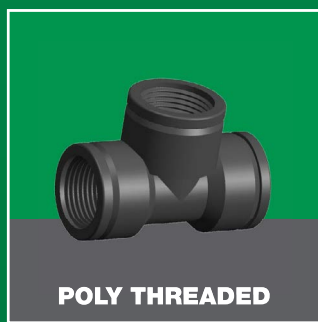
If the Purchaser becomes insolvent, the Purchaser remains liable under this agreement for the payment of all liabilities incurred in relation to the supply of goods made under this agreement.

# HOLMAN

## PLUMBING

### 2023 CATALOGUE

PVC FITTINGS // RRJ FITTINGS // HEAVY DUTY  
DWV // PE HOLTECH // POLY //  
SPECIAL FABRICATED FITTINGS



**HOLMAN  
FITTINGS RANGE**

[www.holmanindustries.com.au](http://www.holmanindustries.com.au)